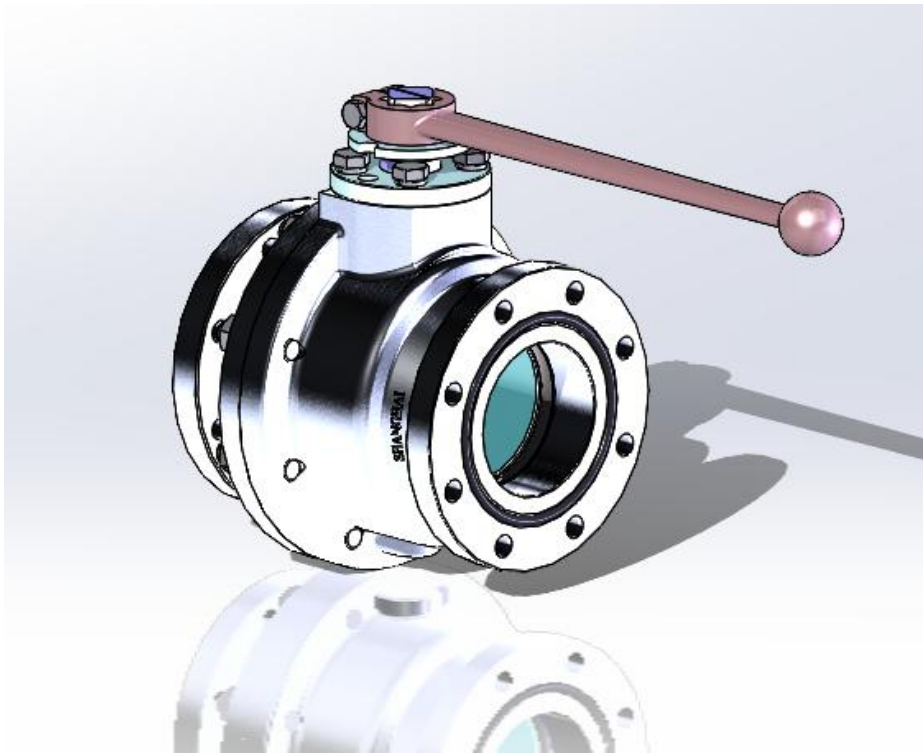


BV48 系列铝合金球阀

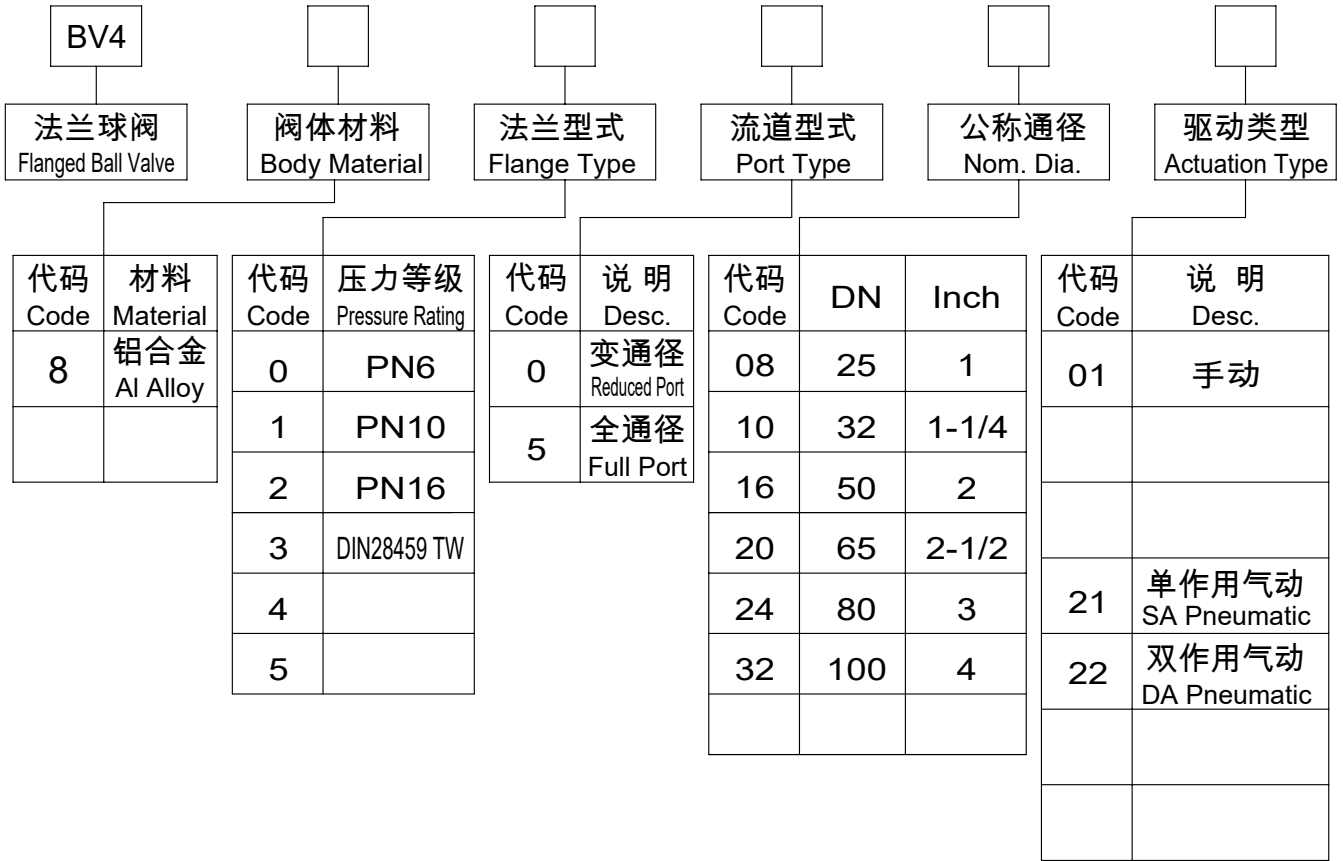
BV48 Series Al Alloy Ball Valves



上海齐宇机电设备有限公司
Shanghai Qiyu Mechatronic Equipment Co.Ltd.

铝合金法兰系列球阀型号编制方法

Al Alloy Flanged Series Ball Valves Model Designation Method



BV48050801型铝合金球阀

BV48050801 Manual Al Alloy Ball Valve



上海齐宇机电设备有限公司

Shanghai Qiyu Mechatronic Equipment Co., Ltd.

独特的碟簧预紧密封座设计 / Unique Preloaded Belleville Seal Seat design

持续提供密封压力，该密封座可自动补偿密封面的磨损以及温度、压力的变化，延长了使用寿命。

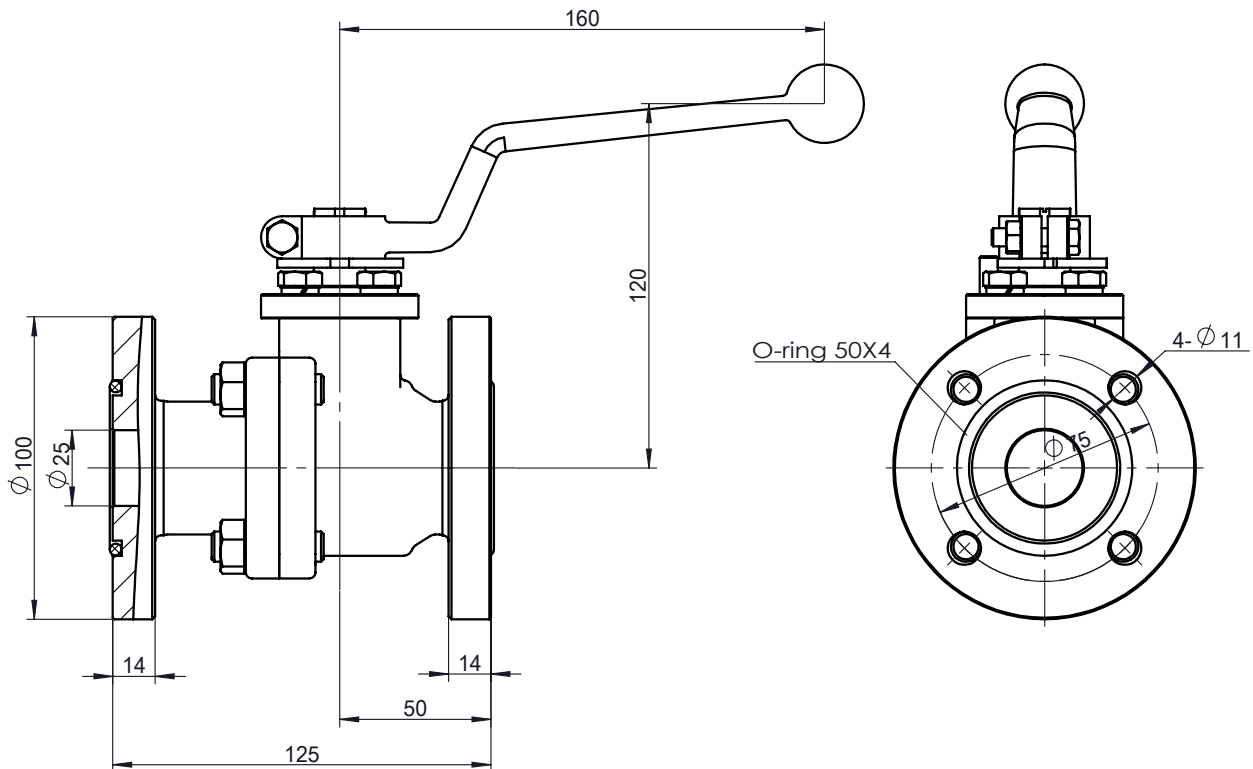
Continuous sealing pressure is applied; the seal seat automatically compensates for seal face wear, as well as temperature and pressure changes, extending service life.

产品特点 / Product Features

- 高性能密封 / High-performance sealing;
- 进出口双重密封 / Double-sealing at inlet and outlet;
- 密封面磨损自动补偿 / Automatic compensation for seal face wear;
- 在较宽压差与温度变化范围内仍保持有效密封 / Maintains effective sealing over a wide range of pressure differentials and temperature variations;
- 氟硅橡胶密封 / Fluorosilicone rubber seals: 耐油、抗老化 / oil-resistant, anti-aging;
- 操作灵活、轻便 / Flexible and lightweight operation;
- 阀体腔体内压力异常升高时可自动泄压 / Automatic pressure relief when abnormal pressure builds up in the valve body cavity.

技术参数 / Technical Specifications

- 公称通径 / Nominal Diameter: DN25;
- 工作压力 / Working Pressure: 1.0 MPa;
- 温度范围 / Temperature Range: -40°C ~ 80°C.



BV48050821型单作用气动铝合金球阀

BV48050821 SA Pneumatic Al Alloy Ball Valve



上海齐宇机电设备有限公司

Shanghai Qiyu Mechatronic Equipment Co., Ltd.

独特的碟簧预紧密封座设计 / Unique Preloaded Belleville Seal Seat design

持续提供密封压力，该密封座可自动补偿密封面的磨损以及温度、压力的变化，延长了使用寿命。

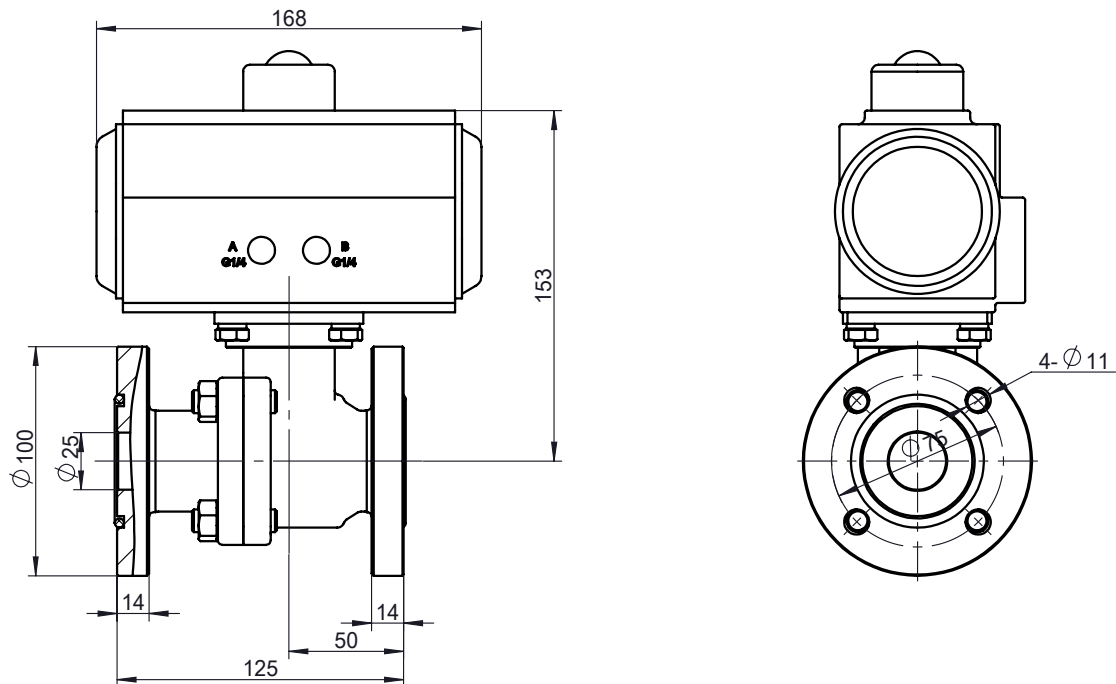
Continuous sealing pressure is applied; the seal seat automatically compensates for seal face wear, as well as temperature and pressure changes, extending service life.

产品特点 / Product Features

- 高性能密封 / High-performance sealing;
- 进出口双重密封 / Double-sealing at inlet and outlet;
- 密封面磨损自动补偿 / Automatic compensation for seal face wear;
- 在较宽压差与温度变化范围内仍保持有效密封 / Maintains effective sealing over a wide range of pressure differentials and temperature variations;
- 氟硅橡胶密封 / Fluorosilicone rubber seals: 耐油、抗老化 / oil-resistant, anti-aging;
- 操作灵活、轻便 / Flexible and lightweight operation;
- 阀体腔体内压力异常升高时可自动泄压 / Automatic pressure relief when abnormal pressure builds up in the valve body cavity.

技术参数 / Technical Specifications

- 公称通径 / Nominal Diameter: DN25;
- 工作压力 / Working Pressure: 1.0 MPa;
- 温度范围 / Temperature Range: $-40^{\circ}\text{C} \sim 80^{\circ}\text{C}$;
- 控制气压 / Control Air Pressure: 0.4 MP (A口进气，阀门开启；A口排气，阀门自动关闭) / 0.4 MPa (Port A pressurized, valve opens; Port A exhausted, valve closes automatically).



BV48050822型双作用气动铝合金球阀

BV48050822 DA Pneumatic Al Alloy Ball Valve



上海齐宇机电设备有限公司

Shanghai Qiyu Mechatronic Equipment Co., Ltd.

独特的碟簧预紧密封座设计 / Unique Preloaded Belleville Seal Seat design

持续提供密封压力，该密封座可自动补偿密封面的磨损以及温度、压力的变化，延长了使用寿命。

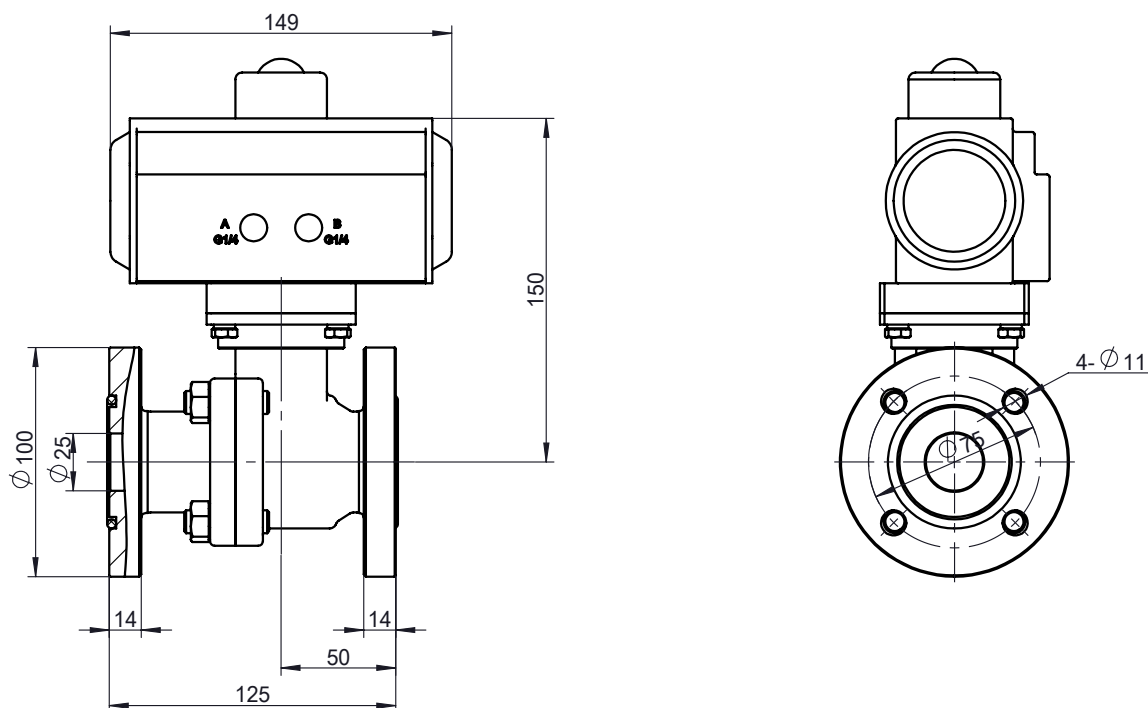
Continuous sealing pressure is applied; the seal seat automatically compensates for seal face wear, as well as temperature and pressure changes, extending service life.

产品特点 / Product Features

- 高性能密封 / High-performance sealing;
- 进出口双重密封 / Double-sealing at inlet and outlet;
- 密封面磨损自动补偿 / Automatic compensation for seal face wear;
- 在较宽压差与温度变化范围内仍保持有效密封 / Maintains effective sealing over a wide range of pressure differentials and temperature variations;
- 氟硅橡胶密封 / Fluorosilicone rubber seals: 耐油、抗老化 / oil-resistant, anti-aging;
- 操作灵活、轻便 / Flexible and lightweight operation;
- 阀体腔体内压力异常升高时可自动泄压 / Automatic pressure relief when abnormal pressure builds up in the valve body cavity.

技术参数 / Technical Specifications

- 公称通径 / Nominal Diameter: DN25;
- 工作压力 / Working Pressure: 1.0 MPa;
- 温度范围 / Temperature Range: $-40^{\circ}\text{C} \sim 80^{\circ}\text{C}$;
- 控制气压 / Control Air Pressure: 控制气压：0.4 MP (A口进气，阀门开启；B口进气，阀门关闭) / 0.4 MPa (Port A pressurized, valve opens; Port B pressurized, valve closes automatically).



BV48351601型铝合金球阀

BV48351601 Manual Al Alloy Ball Valve



上海齐宇机电设备有限公司

Shanghai Qiyu Mechatronic Equipment Co., Ltd.

独特的碟簧预紧密封座设计 / Unique Preloaded Belleville Seal Seat design

持续提供密封压力，该密封座可自动补偿密封面的磨损以及温度、压力的变化，延长了使用寿命。

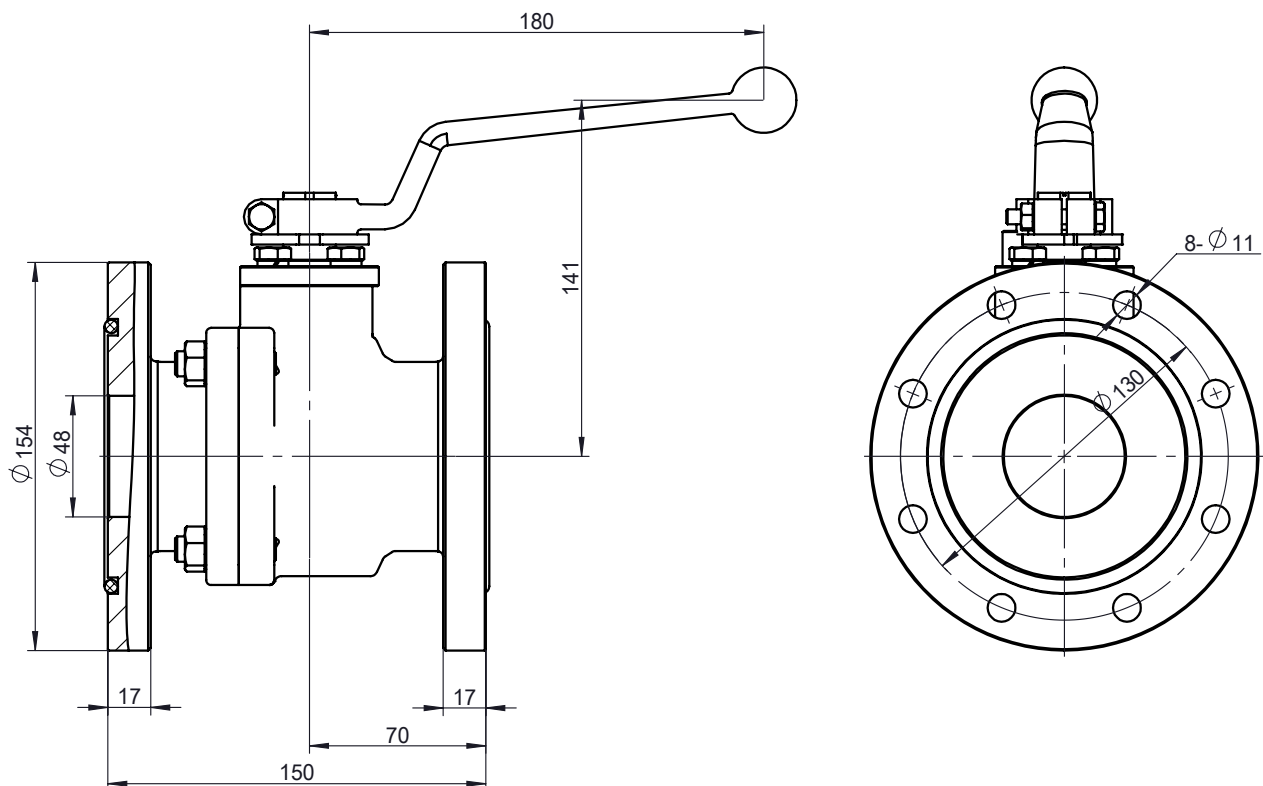
Continuous sealing pressure is applied; the seal seat automatically compensates for seal face wear, as well as temperature and pressure changes, extending service life.

产品特点 / Product Features

- 高性能密封 / High-performance sealing;
- 进出口双重密封 / Double-sealing at inlet and outlet;
- 密封面磨损自动补偿 / Automatic compensation for seal face wear;
- 在较宽压差与温度变化范围内仍保持有效密封 / Maintains effective sealing over a wide range of pressure differentials and temperature variations;
- 氟硅橡胶密封 / Fluorosilicone rubber seals: 耐油、抗老化 / oil-resistant, anti-aging;
- 操作灵活、轻便 / Flexible and lightweight operation;
- 阀体腔体内压力异常升高时可自动泄压 / Automatic pressure relief when abnormal pressure builds up in the valve body cavity.

技术参数 / Technical Specifications

- 公称通径 / Nominal Diameter: DN50;
- 工作压力 / Working Pressure: 1.0 MPa;
- 温度范围 / Temperature Range: -40°C ~ 80°C.



BV48351621型单作用气动铝合金球阀

BV48351621 SA Pneumatic Al Alloy Ball Valve



上海齐宇机电设备有限公司

Shanghai Qiyu Mechatronic Equipment Co., Ltd.

独特的碟簧预紧密封座设计 / Unique Preloaded Belleville Seal Seat design

持续提供密封压力，该密封座可自动补偿密封面的磨损以及温度、压力的变化，延长了使用寿命。

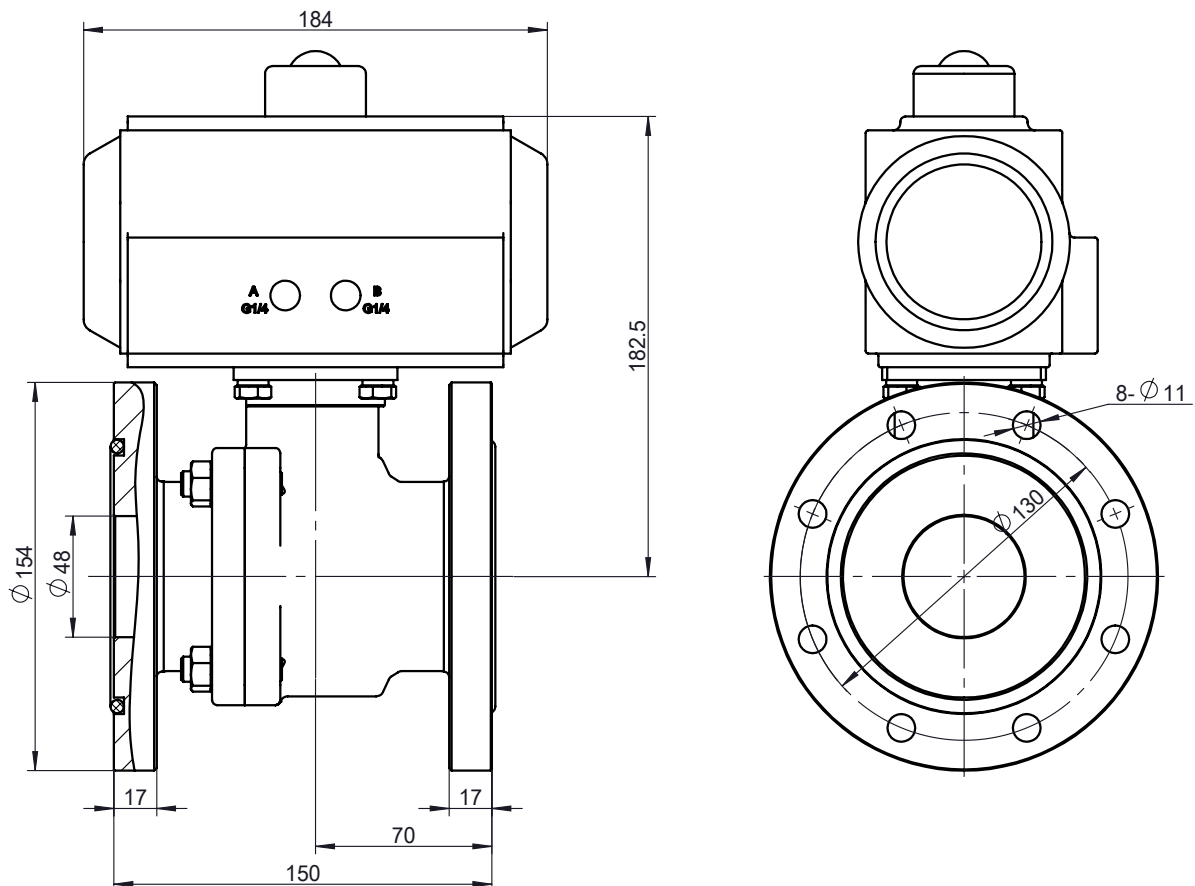
Continuous sealing pressure is applied; the seal seat automatically compensates for seal face wear, as well as temperature and pressure changes, extending service life.

产品特点 / Product Features

- 高性能密封 / High-performance sealing;
- 进出口双重密封 / Double-sealing at inlet and outlet;
- 密封面磨损自动补偿 / Automatic compensation for seal face wear;
- 在较宽压差与温度变化范围内仍保持有效密封 / Maintains effective sealing over a wide range of pressure differentials and temperature variations;
- 氟硅橡胶密封 / Fluorosilicone rubber seals: 耐油、抗老化 / oil-resistant, anti-aging;
- 操作灵活、轻便 / Flexible and lightweight operation;
- 阀体腔体内压力异常升高时可自动泄压 / Automatic pressure relief when abnormal pressure builds up in the valve body cavity.

技术参数 / Technical Specifications

- 公称通径 / Nominal Diameter: DN50;
- 工作压力 / Working Pressure: 1.0 MPa;
- 温度范围 / Temperature Range: $-40^{\circ}\text{C} \sim 80^{\circ}\text{C}$;
- 控制气压 / Control Air Pressure: 0.4 MP (A口进气，阀门开启；A口排气，阀门自动关闭) / 0.4 MPa (Port A pressurized, valve opens; Port A exhausted, valve closes automatically).



BV48351622型双作用气动铝合金球阀

BV48351622 DA Pneumatic Al Alloy Ball Valve



上海齐宇机电设备有限公司

Shanghai Qiyu Mechatronic Equipment Co., Ltd.

独特的碟簧预紧密封座设计 / Unique Preloaded Belleville Seal Seat design

持续提供密封压力，该密封座可自动补偿密封面的磨损以及温度、压力的变化，延长了使用寿命。

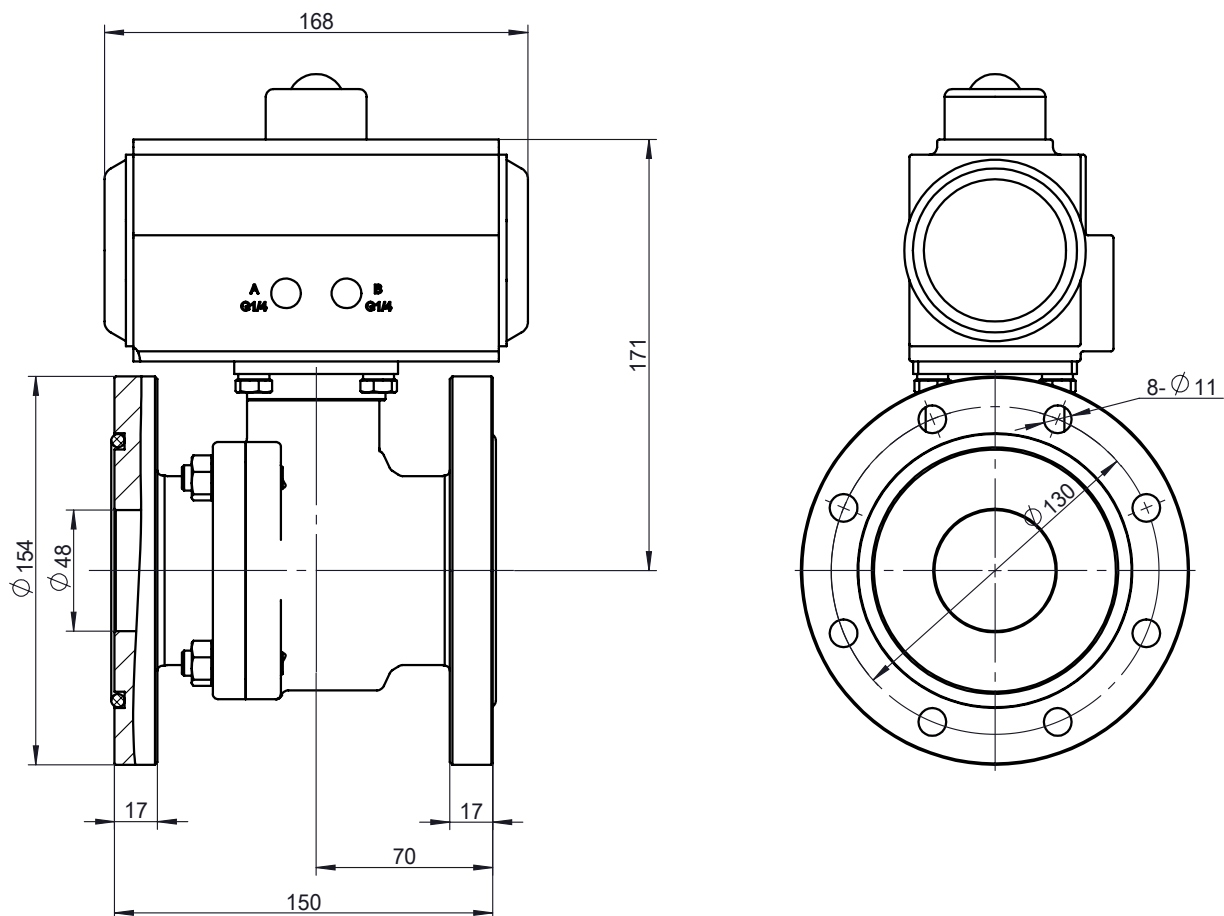
Continuous sealing pressure is applied; the seal seat automatically compensates for seal face wear, as well as temperature and pressure changes, extending service life.

产品特点 / Product Features

- 高性能密封 / High-performance sealing;
- 进出口双重密封 / Double-sealing at inlet and outlet;
- 密封面磨损自动补偿 / Automatic compensation for seal face wear;
- 在较宽压差与温度变化范围内仍保持有效密封 / Maintains effective sealing over a wide range of pressure differentials and temperature variations;
- 氟硅橡胶密封 / Fluorosilicone rubber seals: 耐油、抗老化 / oil-resistant, anti-aging;
- 操作灵活、轻便 / Flexible and lightweight operation;
- 阀体腔体内压力异常升高时可自动泄压 / Automatic pressure relief when abnormal pressure builds up in the valve body cavity.

技术参数 / Technical Specifications

- 公称通径 / Nominal Diameter: DN50;
- 工作压力 / Working Pressure: 1.0 MPa;
- 温度范围 / Temperature Range: $-40^{\circ}\text{C} \sim 80^{\circ}\text{C}$;
- 控制气压 / Control Air Pressure: 控制气压：0.4 MP (A口进气，阀门开启；B口进气，阀门关闭) / 0.4 MPa (Port A pressurized, valve opens; Port B pressurized, valve closes automatically).



BV48352401型铝合金球阀

BV48352401 Manual Al Alloy Ball Valve



上海齐宇机电设备有限公司

Shanghai Qiyu Mechatronic Equipment Co., Ltd.

独特的碟簧预紧密封座设计 / Unique Preloaded Belleville Seal Seat design

持续提供密封压力，该密封座可自动补偿密封面的磨损以及温度、压力的变化，延长了使用寿命。

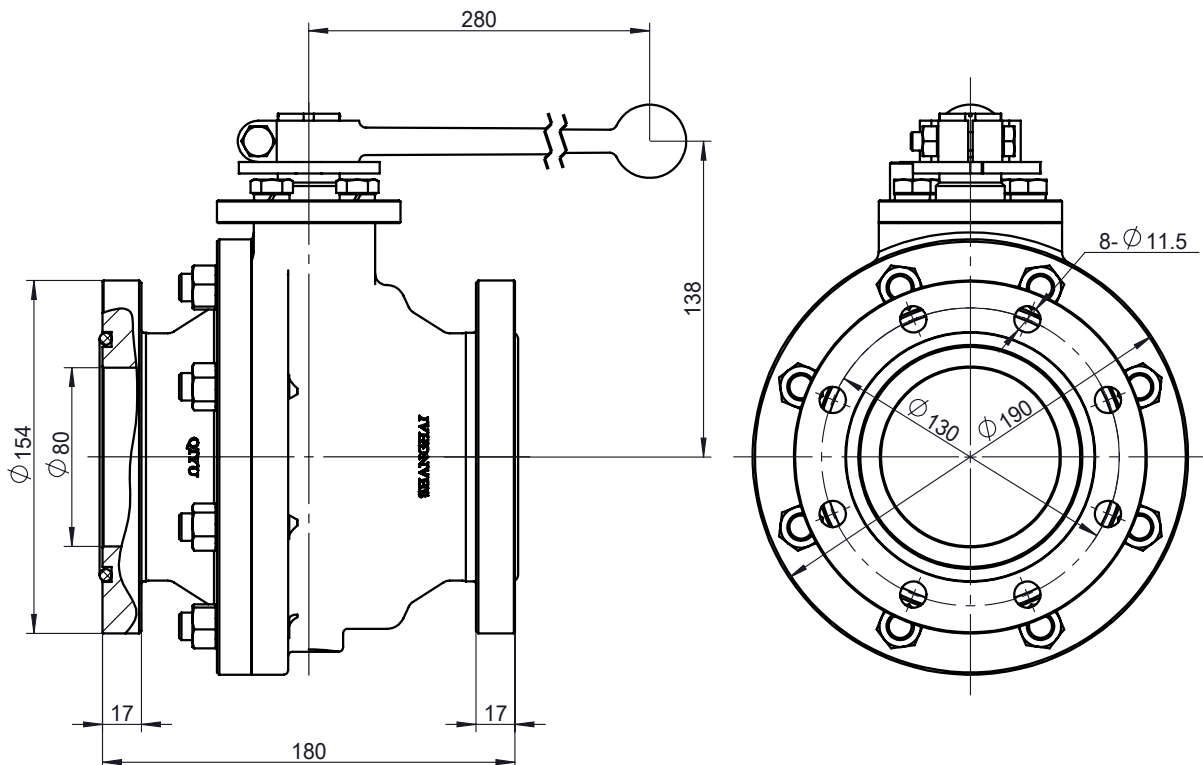
Continuous sealing pressure is applied; the seal seat automatically compensates for seal face wear, as well as temperature and pressure changes, extending service life.

产品特点 / Product Features

- 高性能密封 / High-performance sealing;
- 进出口双重密封 / Double-sealing at inlet and outlet;
- 密封面磨损自动补偿 / Automatic compensation for seal face wear;
- 在较宽压差与温度变化范围内仍保持有效密封 / Maintains effective sealing over a wide range of pressure differentials and temperature variations;
- 氟硅橡胶密封 / Fluorosilicone rubber seals: 耐油、抗老化 / oil-resistant, anti-aging;
- 操作灵活、轻便 / Flexible and lightweight operation;
- 阀体腔体内压力异常升高时可自动泄压 / Automatic pressure relief when abnormal pressure builds up in the valve body cavity.

技术参数 / Technical Specifications

- 公称通径 / Nominal Diameter: DN80;
- 工作压力 / Working Pressure: 1.0 MPa;
- 温度范围 / Temperature Range: -40°C ~ 80°C.



BV48353201型铝合金球阀

BV48353201 Manual Al Alloy Ball Valve



上海齐宇机电设备有限公司
Shanghai Qiyu Mechatronic Equipment Co., Ltd.

独特的碟簧预紧密封座设计 / Unique Preloaded Belleville Seal Seat design

持续提供密封压力，该密封座可自动补偿密封面的磨损以及温度、压力的变化，延长了使用寿命。

Continuous sealing pressure is applied; the seal seat automatically compensates for seal face wear, as well as temperature and pressure changes, extending service life.

产品特点 / Product Features

- 高性能密封 / High-performance sealing;
- 进出口双重密封 / Double-sealing at inlet and outlet;
- 密封面磨损自动补偿 / Automatic compensation for seal face wear;
- 在较宽压差与温度变化范围内仍保持有效密封 / Maintains effective sealing over a wide range of pressure differentials and temperature variations;
- 氟硅橡胶密封 / Fluorosilicone rubber seals: 耐油、抗老化 / oil-resistant, anti-aging;
- 操作灵活、轻便 / Flexible and lightweight operation;
- 阀体腔体内压力异常升高时可自动泄压 / Automatic pressure relief when abnormal pressure builds up in the valve body cavity.

技术参数 / Technical Specifications

- 公称通径 / Nominal Diameter: DN100;
- 工作压力 / Working Pressure: 1.0 MPa;
- 温度范围 / Temperature Range: -40°C ~ 80°C.

