

# 可调文氏管

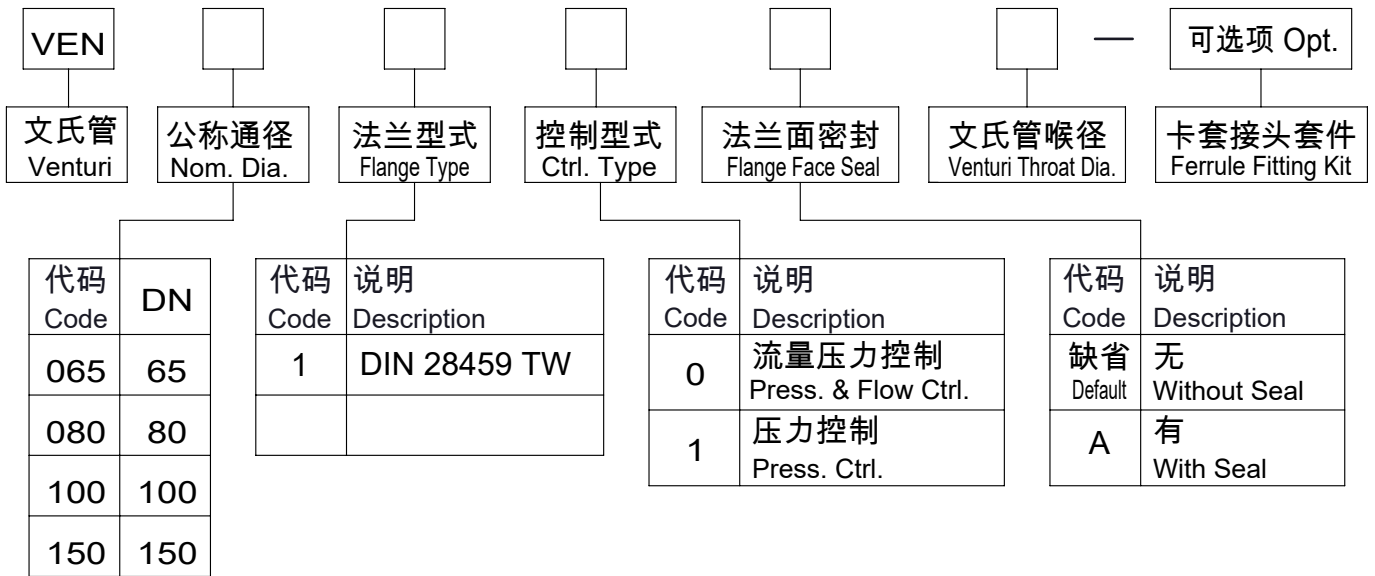
ADJUSTABLE VENTURI



上海齐宇机电设备有限公司  
Shanghai Qiyu Mechatronic Equipment Co.Ltd.

# 文氏管型号编制方法

## Venturi Model Designation Method



### 文氏管喉径选型要求

- 文氏管喉径为型号核心必填参数，无缺省值，所有订单型号必须标注。
- 喉径尺寸需依据管路设计流量、允许压力损失，通过文丘里流量公式（基于伯努利方程）计算确定。
- 编码规则：型号中以2位阿拉伯数字直接对应喉径实际尺寸（单位：mm），例如「26」代表喉径26mm。

### 订货示例

- 文氏管型号：[VEN08010A26](#)  
说明：公称通径DN80，法兰型式TW，流量压力控制，法兰面有密封，文氏管喉径26mm，无卡套接头套件。
- 文氏管型号：[VEN08010A26-12](#)  
说明：公称通径DN80，法兰型式TW，流量压力控制，法兰面有密封，文氏管喉径26mm，配卡套接头套件。

### Venturi Throat Diameter Selection Requirements

- The venturi throat diameter is a core mandatory parameter of the model with no default value. It must be indicated in all order models.
- The throat diameter size shall be determined by calculation using the Venturi flow formula (based on the Bernoulli equation), according to the designed flow rate of the pipeline and the allowable pressure loss.
- Coding rule: Two Arabic numerals in the model directly correspond to the actual throat diameter size (unit: mm). For example, "26" stands for a throat diameter of 26 mm.

### Order Example

- Venturi Type: [VEN08010A26](#)  
Description: Nominal diameter DN80, flange type TW, flow and pressure control, sealed flange face, Venturi throat diameter 26 mm, without ferrule fitting kit.
- Venturi Type: [VEN08010A26-12](#)  
Description: Nominal diameter DN80, flange type TW, flow and pressure control, sealed flange face, Venturi throat diameter 26 mm, with 12 mm ferrule fitting kit.

# 可调文氏管

## 总则

文丘里管应用于飞机加油控制系统，能在全流量工况范围内，精准稳定控制飞机油箱进口压力。

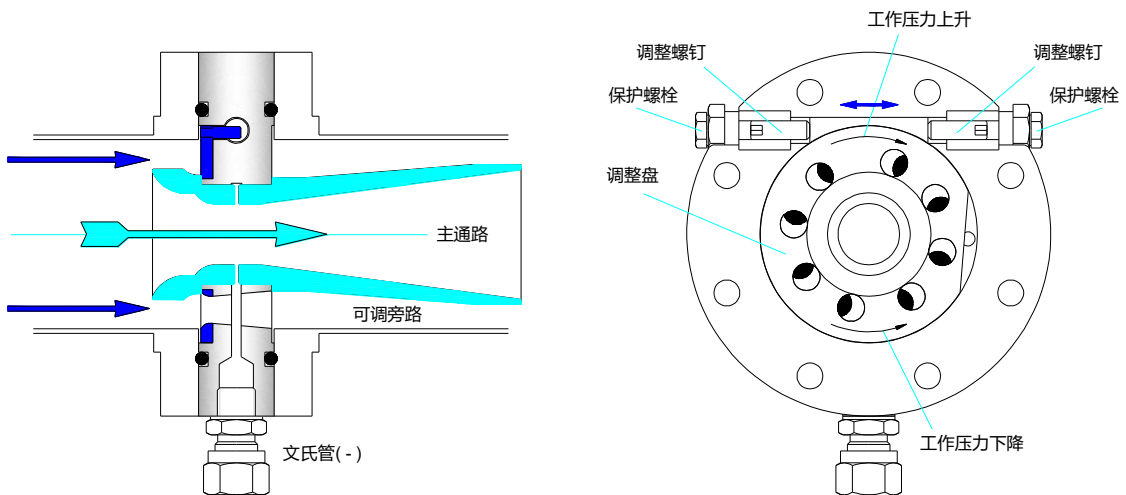
## 特点

- 连续可调
- 安装简单
- 调整方便

## 压力调整：

文丘里(-)工作压力是通过转动调整盘调整。顺时针转动调整盘，工作压力上升；逆时针转动调整盘,工作压力降低。

1. 取出两个保护螺栓（SW13）；
2. 松开两个调整螺钉（SW4）；
3. 使用两个调整螺钉之一，设置所需的工作压力；
4. 平衡第二个调整螺钉并锁紧；
5. 拧紧保护螺栓。



# Adjustable Venturi

## General

The Venturi tube is applied in aircraft refueling control systems to precisely and stably regulate the inlet pressure of aircraft fuel tanks over the full flow operating range.

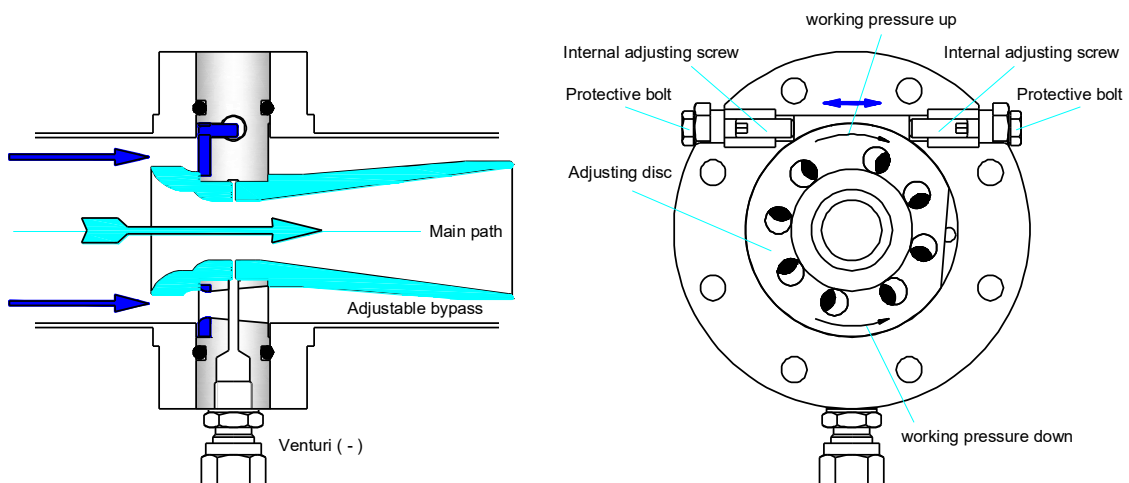
## Features

- Continuously adjustable
- Simple installation
- Easy adjustment

## Pressure Adjustment

The working pressure of the Venturi throat (-) is adjusted by turning the adjustment disc. Turning the adjusting disc clockwise increases the working pressure; turning it counterclockwise decreases the working pressure.

1. Remove the two protective bolts (SW13).
2. Loosen the two adjusting screws (SW4).
3. Use one of the two adjusting screws to set the required working pressure.
4. Balance and lock the second adjusting screw.
5. Tighten the protective bolts.



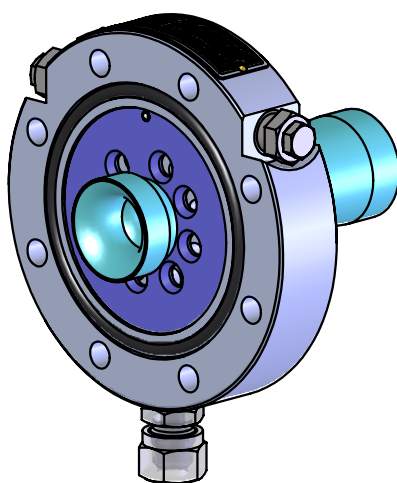
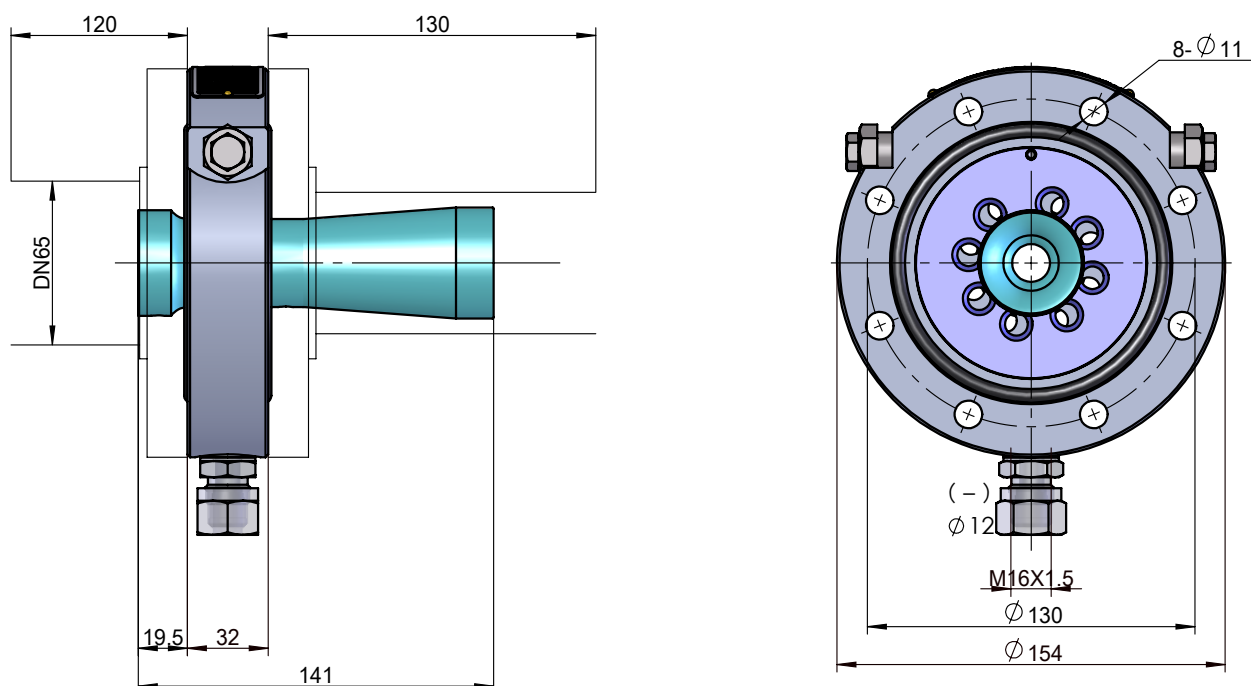
## 2.5吋可调文氏管 / 2.5 Inch Adjustable Venturi VEN06511A 15



上海齐宇机电设备有限公司  
Shanghai Qiyu Mechatronic Equipment Co., Ltd.

### 技术参数 / Technical Parameters

1. 公称通径 / Nominal Diameter: DN65;
2. 工作压力 / Working pressure: 1.0 MPa;
3. 温度范围 / Temperature Range:  $-40^{\circ}\text{C} \sim 80^{\circ}\text{C}$ ;
4. 与燃油接触的材料 / Materials in contact with fuel: 铝合金, 不锈钢 / Aluminum, stainless steel;
5. 密封材料 / Sealing Material: NBR;
6. 用途 / Application: 用于压力控制阀 / For pressure control valves;
7. 文氏管负区直径可调范围 / Venturi throat (-) diameter adjustable range: 15~28 mm;
8. 重量 / Weight: 1.81 Kg.



# 3吋可调文氏管 / 3 Inch Adjustable Venturi

## VEN08010A 22 / 26 / 34



上海齐宇机电设备有限公司  
Shanghai Qiyu Mechatronic Equipment Co., Ltd.

### 技术参数 / Technical Parameters

1. 公称通径 / Nominal Diameter: DN80;
2. 工作压力 / Working pressure: 1.0 MPa;
3. 温度范围 / Temperature Range:  $-40^{\circ}\text{C} \sim 80^{\circ}\text{C}$ ;
4. 与燃油接触的材料 / Materials in contact with fuel: 铝合金, 不锈钢 / Aluminum, stainless steel;
5. 密封材料 / Sealing Material: NBR;
6. 用途 / Application: 用于压力流量控制阀 / For pressure and flow control valves;
7. 文氏管负区直径可调范围 / Venturi throat (-) dia. adjustable range:

VEN08010A22: 22~38 mm

VEN08010A26: 26~40 mm

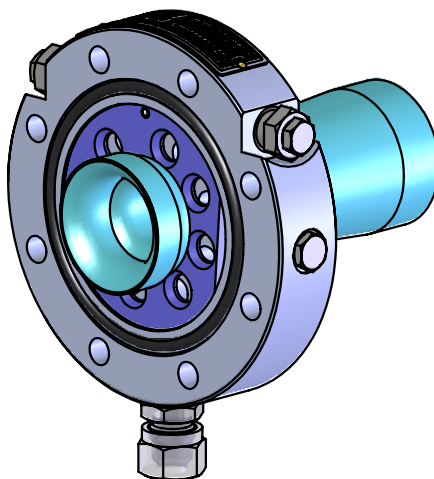
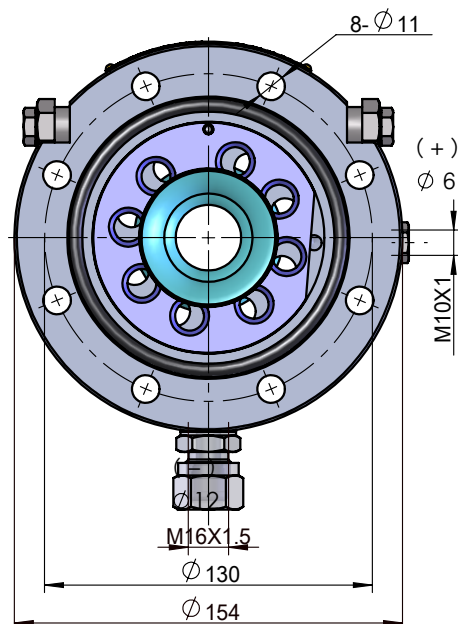
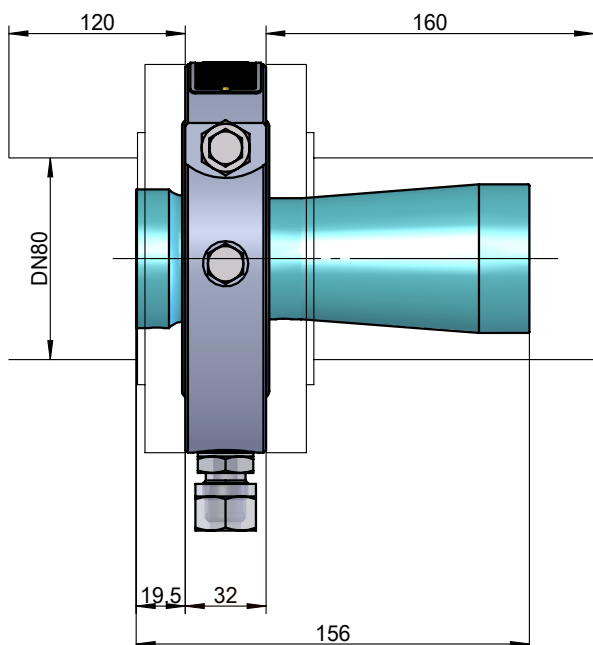
VEN08010A34: 34~46 mm

### 8. 重量 / Weight

VEN08010A22: 1.92 Kg

VEN08010A26: 1.88 Kg

VEN08010A34: 1.78 Kg



# 4吋可调文氏管 / 4 Inch Adjustable Venturi

## VEN10011A 34 / 43



上海齐宇机电设备有限公司

Shanghai Qiyu Mechatronic Equipment Co., Ltd.

### 技术参数 / Technical Parameters

1. 公称通径 / Nominal Diameter: DN100;
2. 工作压力 / Working pressure: 1.0 MPa;
3. 温度范围 / Temperature Range:  $-40^{\circ}\text{C} \sim 80^{\circ}\text{C}$ ;
4. 与燃油接触的材料 / Materials in contact with fuel: 铝合金, 不锈钢 / Aluminum, stainless steel;
5. 密封材料 / Sealing Material: NBR;
6. 用途 / Application: 用于压力流量控制阀 / For pressure and flow control valves;
7. 文氏管负区直径可调范围 / Venturi throat (-) dia. adjustable range:

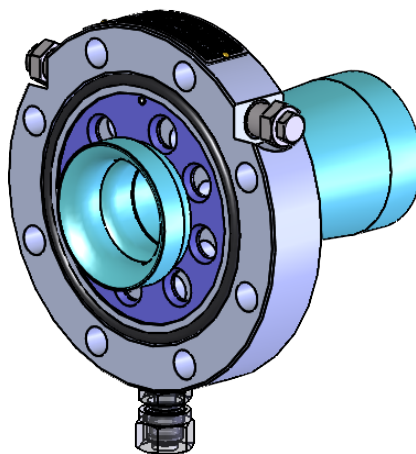
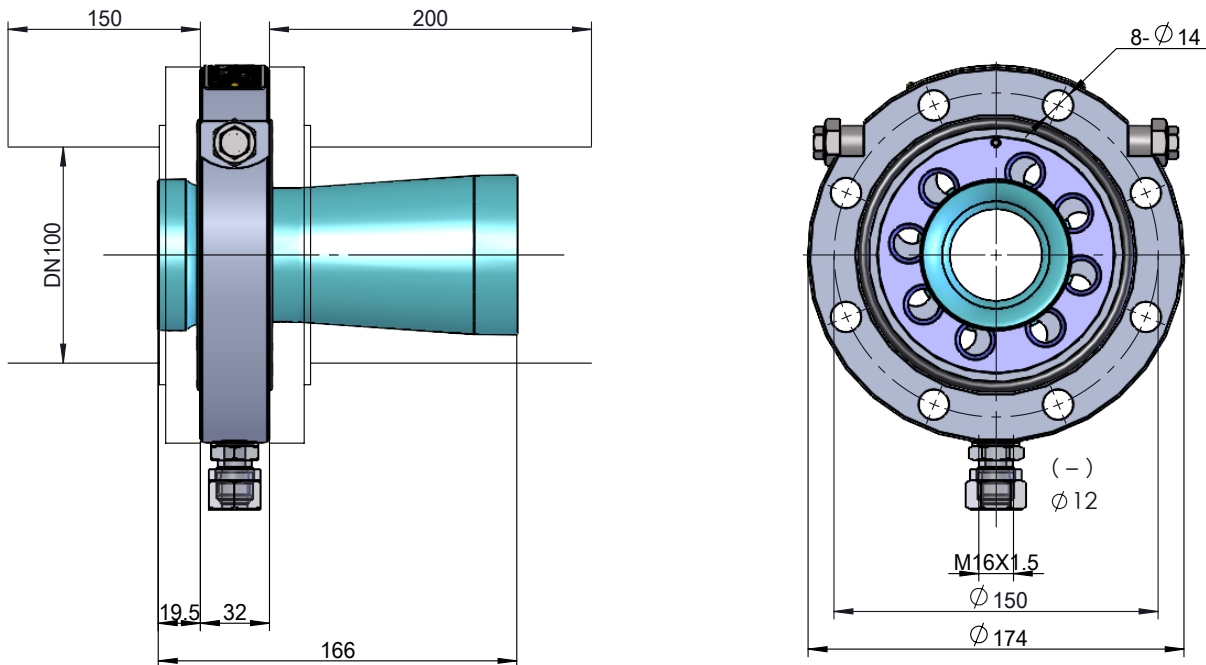
VEN10011A34: 34~53 mm

VEN10011A43: 43~58 mm

### 8. 重量 / Weight

VEN10011A34: 2.50 Kg

VEN10011A43: 2.30 Kg



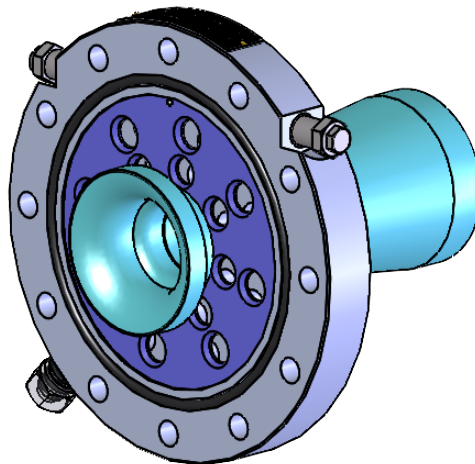
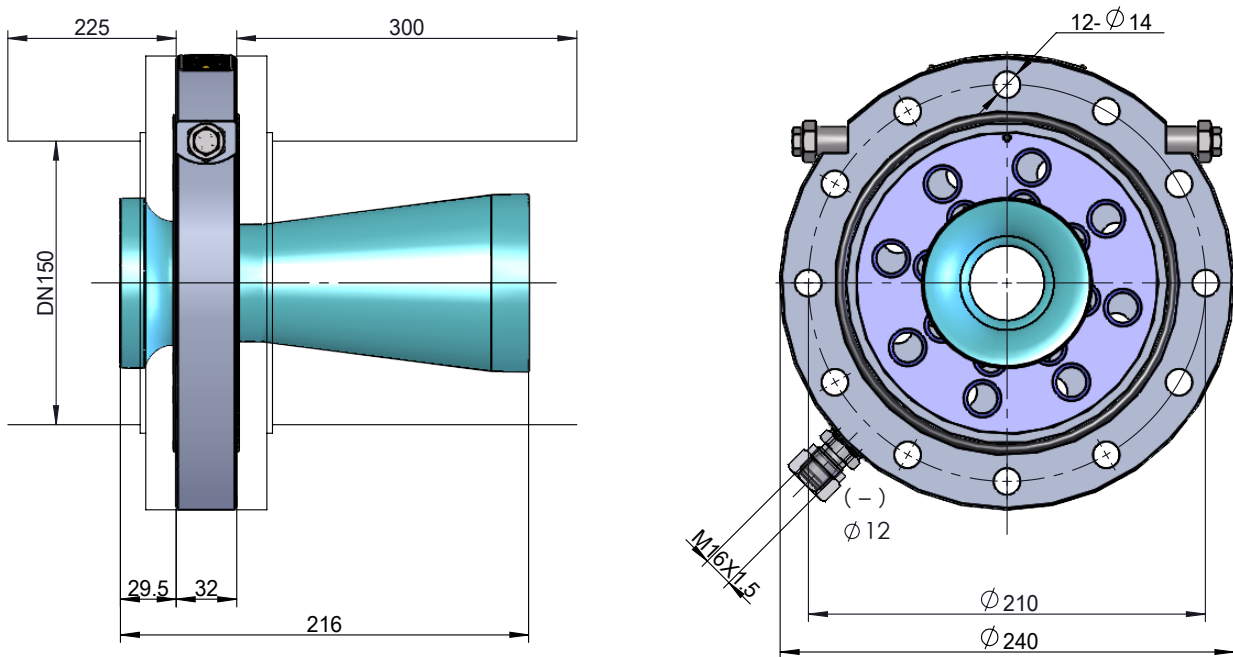
# 6吋可调文氏管 / 6 Inch Adjustable Venturi VEN15011A 40



上海齐宇机电设备有限公司  
Shanghai Qiyu Mechatronic Equipment Co., Ltd.

## 技术参数 / Technical Parameters

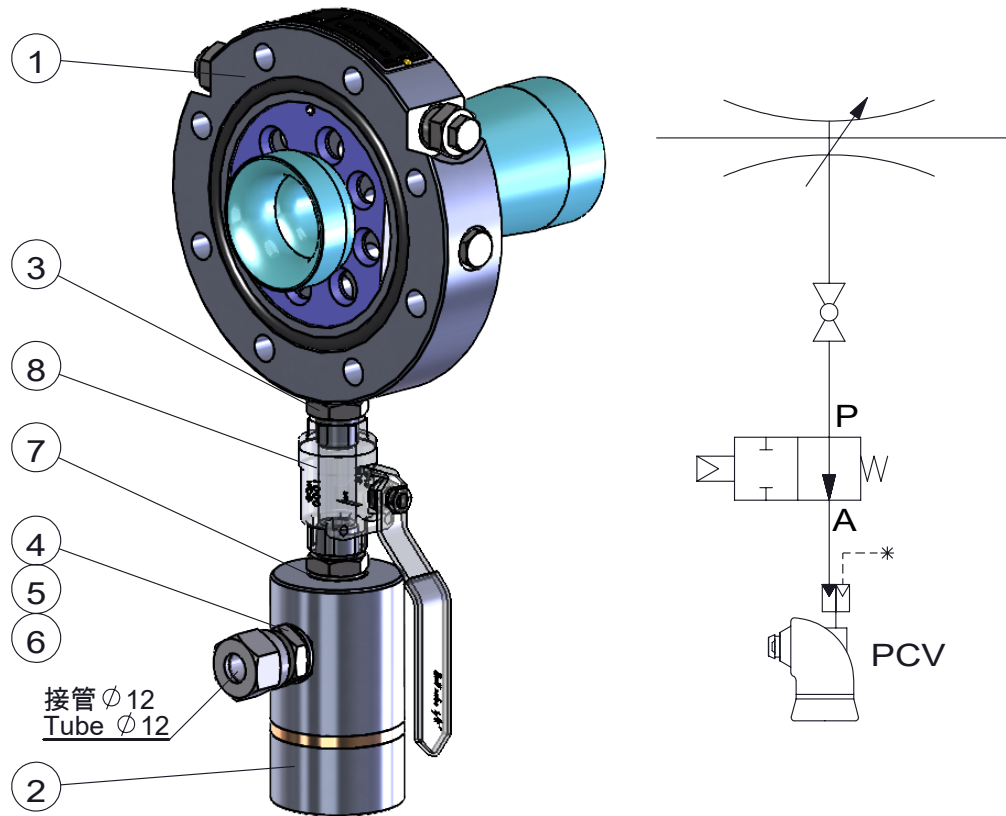
1. 公称通径 / Nominal Diameter: DN150;
2. 工作压力 / Working pressure: 1.0 MPa;
3. 温度范围 / Temperature Range:  $-40^{\circ}\text{C} \sim 80^{\circ}\text{C}$ ;
4. 与燃油接触的材料 / Materials in contact with fuel: 铝合金, 不锈钢 / Aluminum, stainless steel;
5. 密封材料 / Sealing Material: NBR;
6. 用途 / Application: 用于压力控制阀 / For pressure control valves;
7. 文氏管负区直径可调范围 / Venturi throat (-) diameter adjustable range: 40~70 mm;
8. 重量 / Weight: 4.45 Kg.



# 常开型可调文氏管控制装置

## Normally open adjustable venturi control Unit

### 常开型可调文氏管控制装置 安装示意图 / Installation Diagram of Normally Open Adjustable Venturi Control Unit

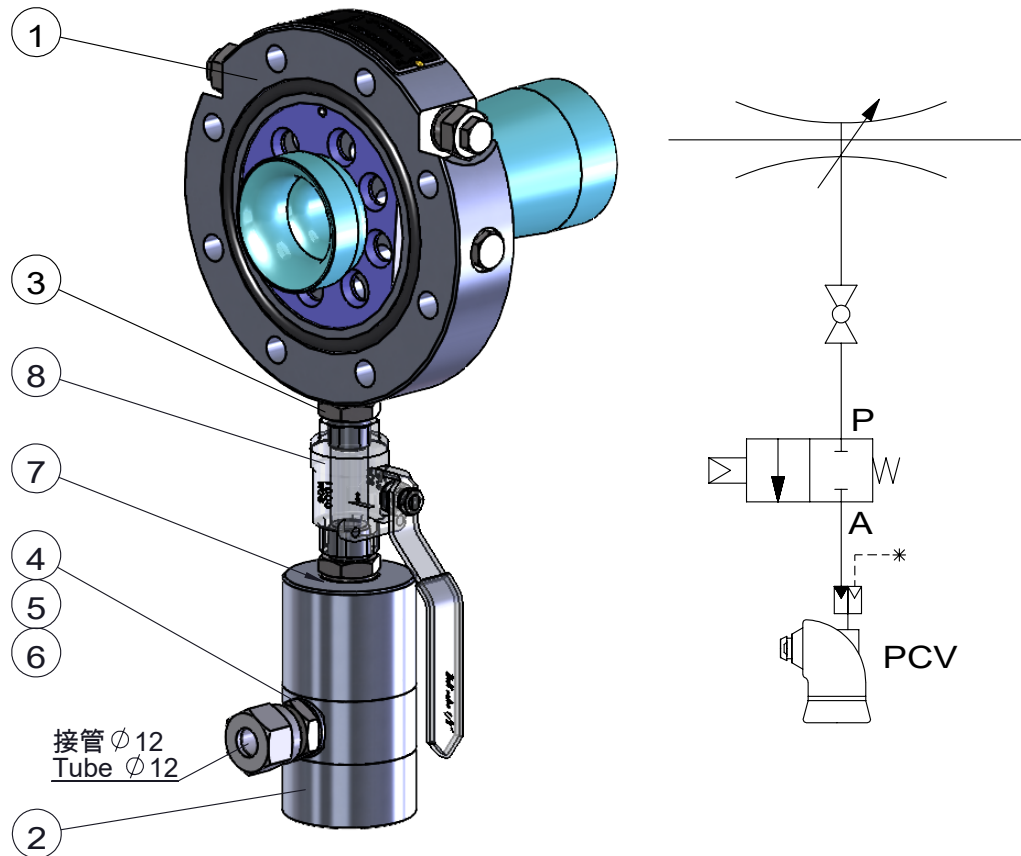


序号 Item	代号 Part No.	名称	Description	数量 Qty.	备注 Remarks
1	VEN08010A26	3"可调文氏管	3 Inch Adjustable Venturi	1	
2	PCV2201	2位2通气控阀 (常开型)	2/2-way pneumatic control valve (NO)	1	
3	R03M16x1.5A-SS	直通接头	Straight Fitting	2	
4	GB/T3733 L12M16x1.5A	卡套接头	Ferrule Fitting	1	
5	L12 GB/T3759	卡套螺母	Ferrule Nut	1	
6	L12 GB/T3764	卡套	Ferrule Nut	1	
7	M16	组合垫圈	Bonded Seal	3	
8	BV2110301	3/8"球阀	3/8" ball valve	1	

# 常闭型可调文氏管控制装置

## Normally closed adjustable venturi control Unit

### 常闭型可调文氏管控制装置 安装示意图 / Installation Diagram of Normally Closed Adjustable Venturi Control Unit



序号 Item	代号 Part No.	名称	Description	数量 Qty.	备注 Remarks
1	VEN08010A26	3"可调文氏管	3 Inch Adjustable Venturi	1	
2	PCV2211	2位2通气控阀 (常闭型)	2/2-way pneumatic control valve (NC)	1	
3	R03M16x1.5A-SS	直通接头	Straight Fitting	2	
4	GB/T3733 L12M16x1.5A	卡套接头	Ferrule Fitting	1	
5	L12 GB/T3759	卡套螺母	Ferrule Nut	1	
6	L12 GB/T3764	卡套	Ferrule Nut	1	
7	M16	组合垫圈	Bonded Seal	3	
8	BV2110301	3/8"球阀	3/8" ball valve	1	

# 2位2通气控阀 / 2/2-way Pneu. Ctrl. Valve PCV2201 (NO)

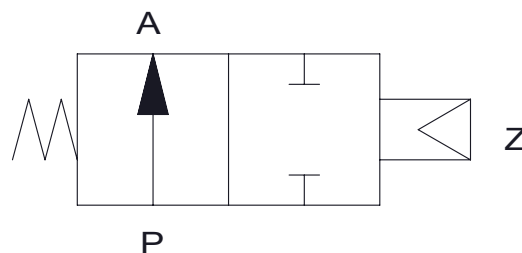
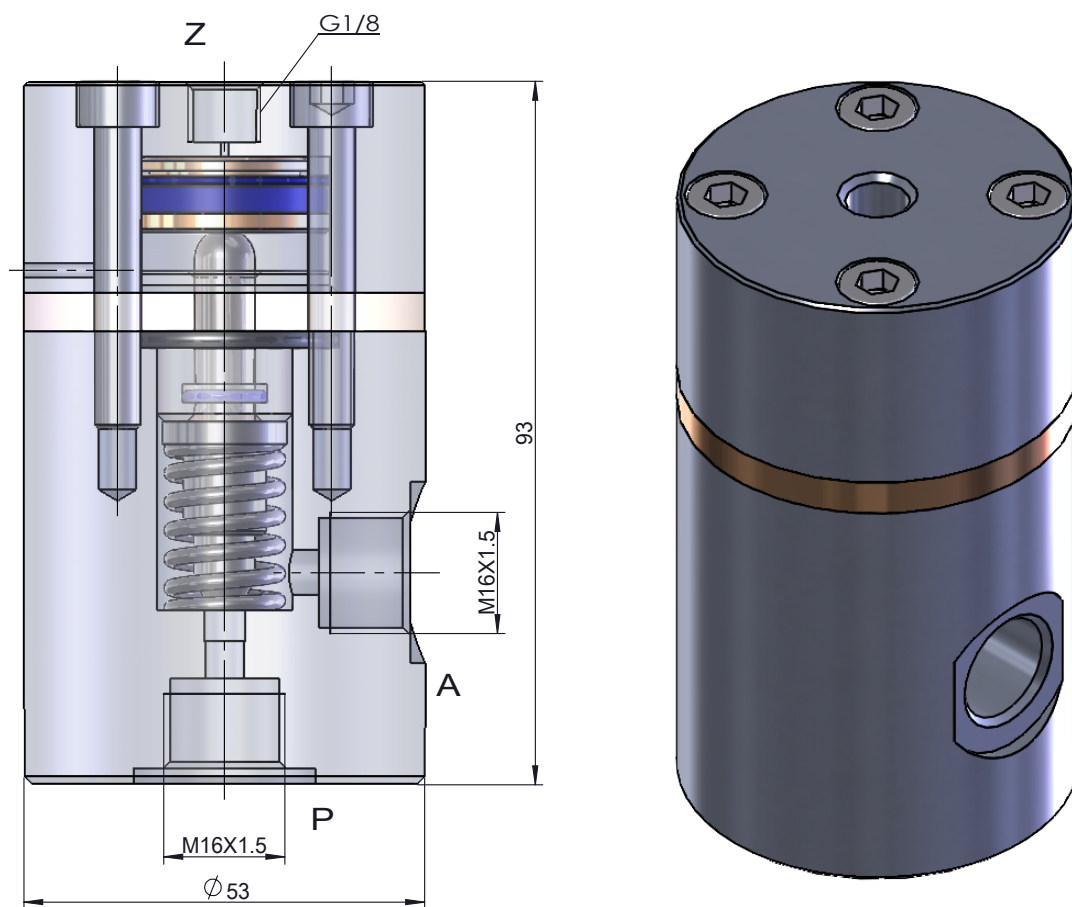


上海齐宇机电设备有限公司  
Shanghai Qiyu Mechatronic Equipment Co., Ltd.

## 技术参数 / Technical Parameters

1. 公称通径 / Nominal Diameter: DN6;
2. 工作压力 / Working Pressure: 1.6 MPa;
3. 控制口Z气压范围 / Control Port Z Air Pressure Range: 0.2~1.0 MPa;
4. 温度范围 / Temperature Range: -40°C ~ 60°C;
5. 材质 / Material: 铝合金 / Aluminum alloy;
6. 用途 : 与可调文氏管配合使用 , 自动控制文氏管负区压力的开关。

Application: Used with adjustable Venturi to automatically control the opening and closing of the Venturi throat pressure.



# 2位2通气控阀 / 2/2-way Pneu. Ctrl. Valve PCV2211 (NC)



上海齐宇机电设备有限公司  
Shanghai Qiyu Mechatronic Equipment Co., Ltd.

## 技术参数 / Technical Parameters

1. 公称通径 / Nominal Diameter: DN6;
2. 工作压力 / Working Pressure: 1.6 MPa;
3. 控制口Z气压范围 / Control Port Z Air Pressure Range: 0.2~1.0 MPa;
4. 温度范围 / Temperature Range: -40°C ~ 60°C;
5. 材质 / Material: 铝合金 / Aluminum alloy;
6. 用途 : 与可调文氏管配合使用 , 自动控制文氏管负区压力的开关。

Application: Used with adjustable Venturi to automatically control the opening and closing of the Venturi throat pressure.

