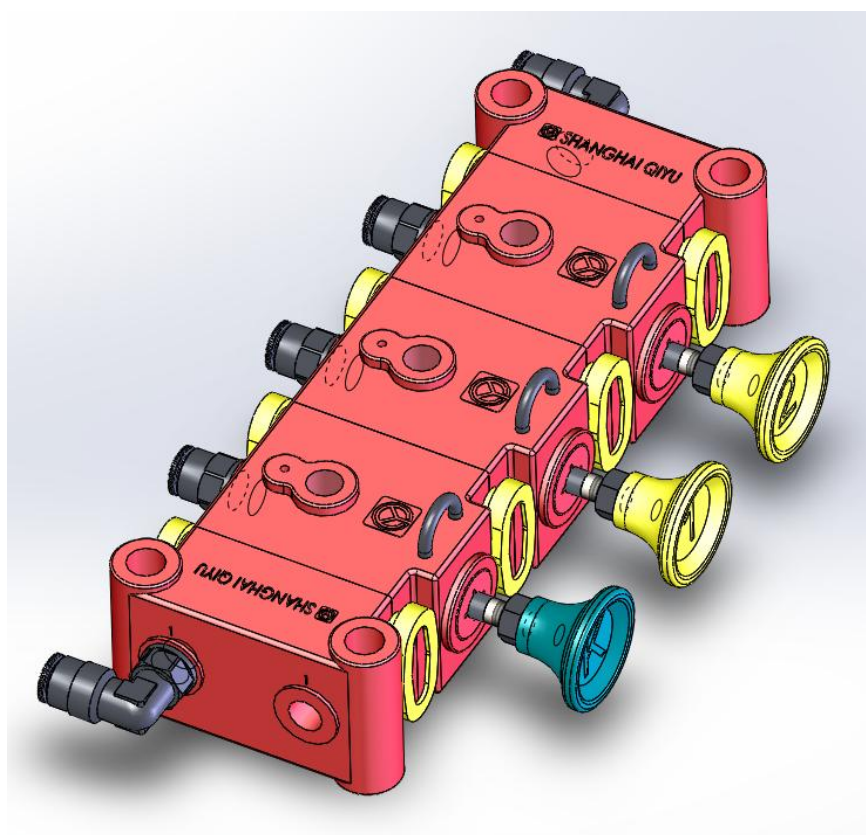


AV23 系列自动复位阀

AV23 Series Automatic Reset Valve

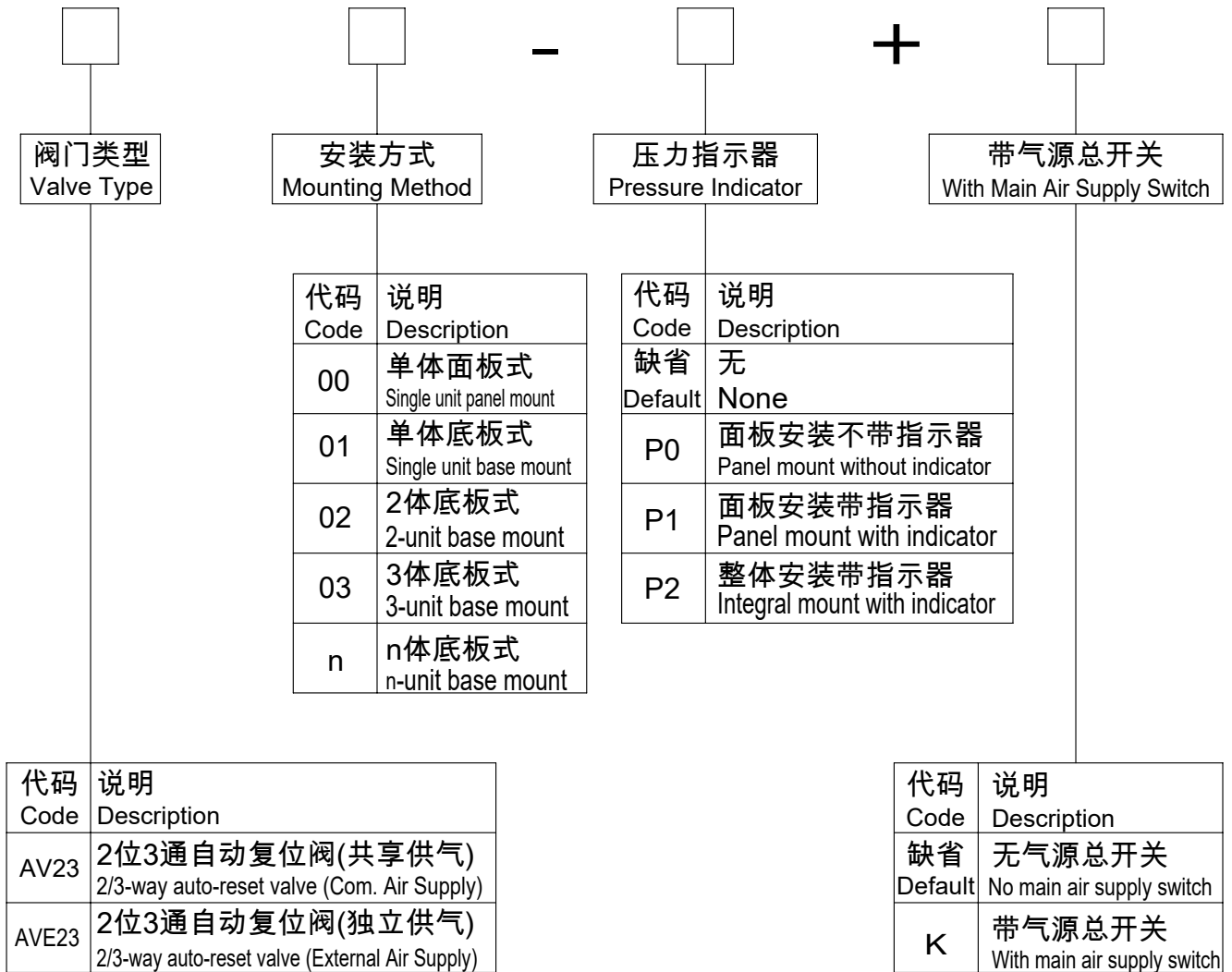


上海齐宇机电设备有限公司

Shanghai Qiyu Mechatronic Equipment Co.Ltd.

AV23系列自动复位阀型号编制方法

AV23 Series Automatic Reset Valve Model Designation Method



AV230n型自动复位阀

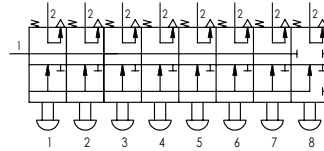
AV230n Auto-Reset Valve



上海齐宇机电设备有限公司
Shanghai Qiyu Mechatronic Equipment Co., Ltd.

技术参数 / Technical Parameters

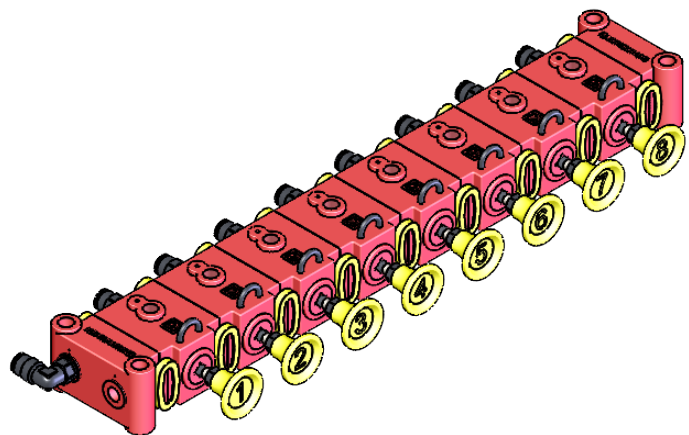
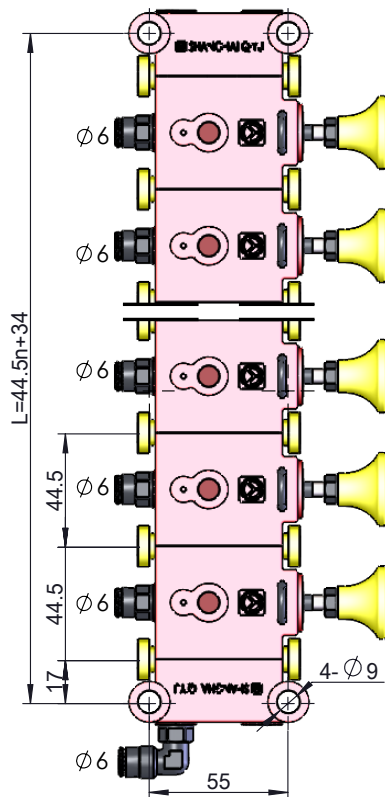
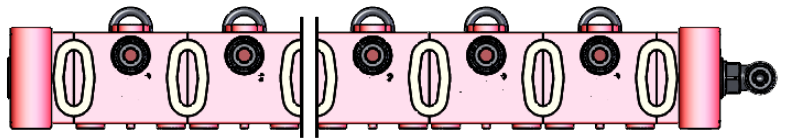
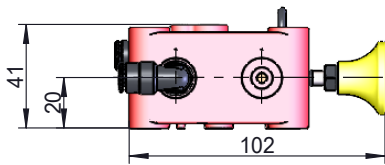
- 工作压力 / Working Pressure: 1.0 MPa;
- 最低工作压力 / Minimum Working Pressure; 0.4 MPa.



输入口1 / Inlet Port 1: G1/8
输出口2 / Outlet Port 2: G1/8

自动复位阀工况 / Operating Conditions of Auto-Reset Valve

1. 输入口1无气，阀打不开 / When there is no air supply at Inlet Port 1, the valve cannot be opened;
2. 输入口1有气，拉动拉手(1、2...n)，1口、2口相通 / When air is supplied at Inlet Port 1, pull the handle (1, 2...n), and Port 1 connects with Port 2;
3. 输入口1排气，阀自动复位，处于1工况 / When Inlet Port 1 is exhausted, the valve automatically resets and returns to Condition 1.



AV230n+K型自动复位阀

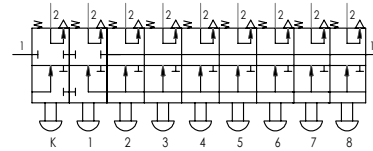
AV230n+K Auto-Reset Valve



上海齐宇机电设备有限公司
Shanghai Qiyu Mechatronic Equipment Co., Ltd.

技术参数 / Technical Parameters

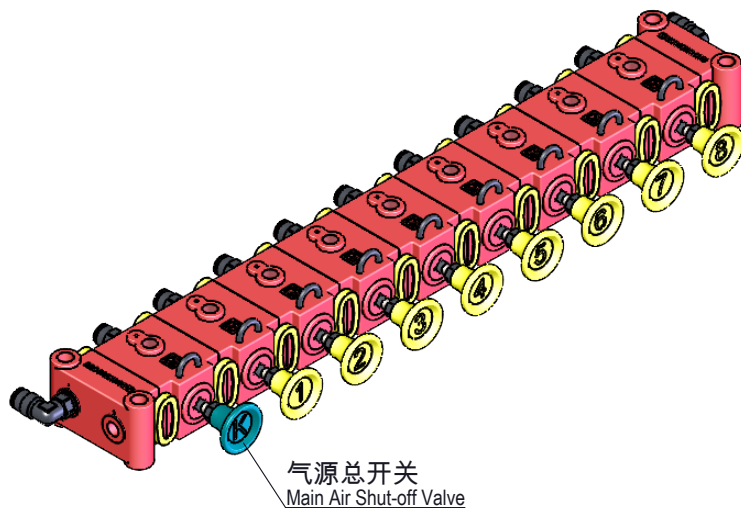
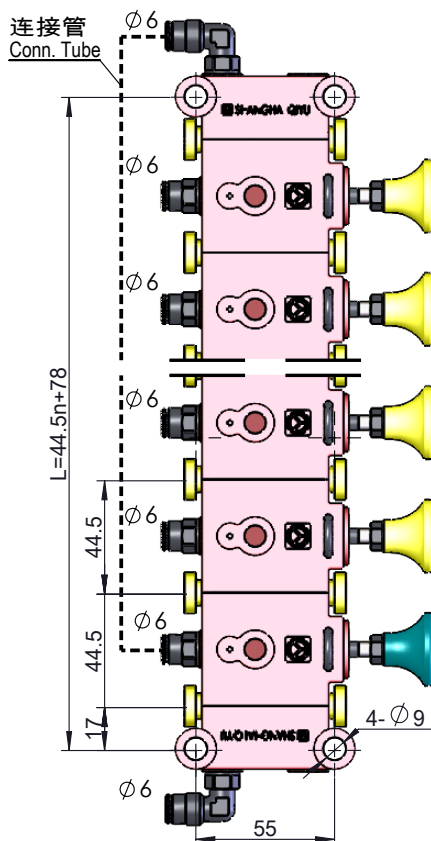
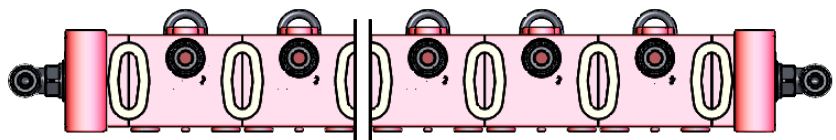
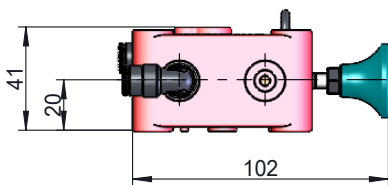
- 工作压力 / Working Pressure: 1.0 MPa;
- 最低工作压力 / Minimum Working Pressure: 0.4 MPa.



输入口1 / Inlet Port 1: G1/8
输出口2 / Outlet Port 2: G1/8

自动复位阀工况 / Operating Conditions of Auto-Reset Valve

1. 输入口1无气，阀打不开 / When there is no air supply at Inlet Port 1, the valve cannot be opened;
2. 输入口1有气，拉动拉手(K、1、2...n)，1口、2口相通 / When air is supplied at Inlet Port 1, pull the handle (K, 1, 2...n), and Port 1 connects with Port 2;
3. 输入口1排气，阀自动复位，处于1工况 / When Inlet Port 1 is exhausted, the valve automatically resets and returns to Condition 1.



气源总开关
Main Air Shut-off Valve

AV2300型自动复位阀

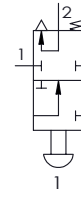
AV2300 Auto-Reset Valve



上海齐宇机电设备有限公司
Shanghai Qiyu Mechatronic Equipment Co., Ltd.

技术参数 / Technical Parameters

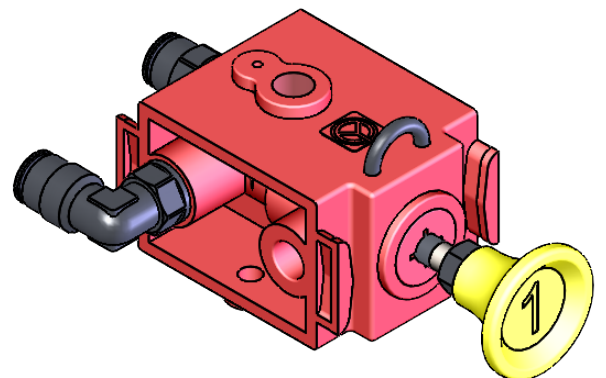
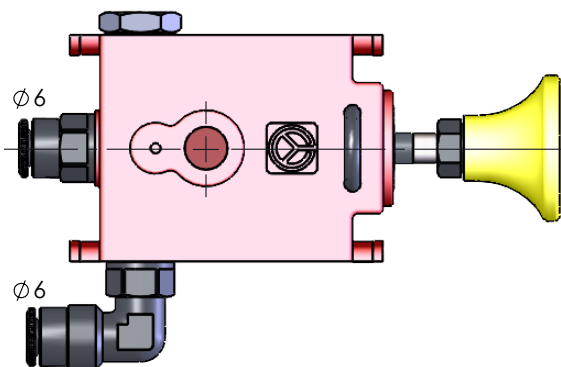
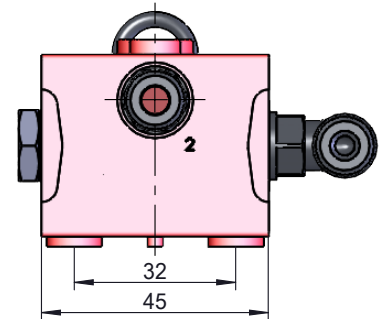
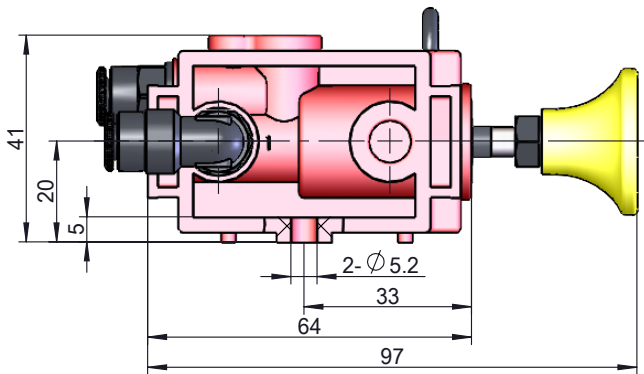
- 工作压力 / Working Pressure: 1.0 MPa;
- 最低工作压力 / Minimum Working Pressure: 0.4 MPa.



输入口1 / Inlet Port 1: G1/8
输出口2 / Outlet Port 2: G1/8

自动复位阀工况 / Operating Conditions of Auto-Reset Valve

1. 输入口1无气，阀打不开 / When there is no air supply at Inlet Port 1, the valve cannot be opened;
2. 输入口1有气，拉动拉手(1)，1口、2口相通 / When air is supplied at Inlet Port 1, pull the handle (1), and Port 1 connects with Port 2;
3. 输入口1排气，阀自动复位，处于1工况 / When Inlet Port 1 is exhausted, the valve automatically resets and returns to Condition 1.



AV2300-P0型自动复位阀

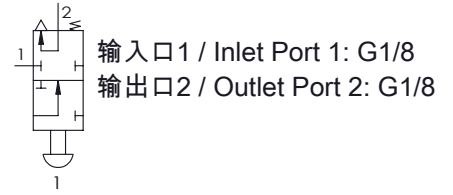
AV2300-P0 Auto-Reset Valve



上海齐宇机电设备有限公司
Shanghai Qiyu Mechatronic Equipment Co., Ltd.

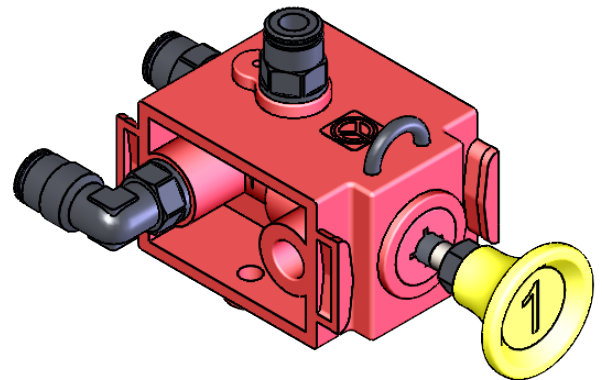
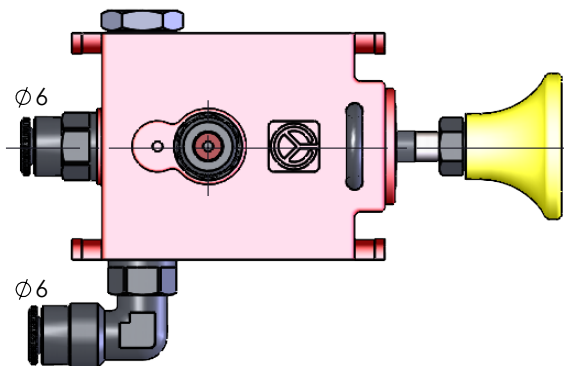
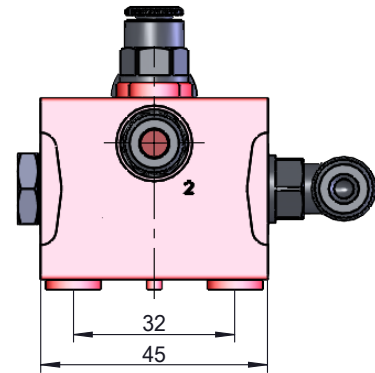
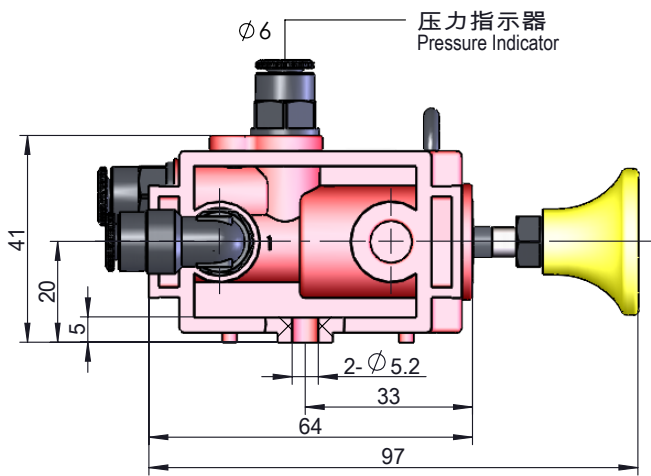
技术参数 / Technical Parameters

- 工作压力 / Working Pressure: 1.0 MPa;
- 最低工作压力 / Minimum Working Pressure: 0.4 MPa.



自动复位阀工况 / Operating Conditions of Auto-Reset Valve

1. 输入口1无气，阀打不开 / When there is no air supply at Inlet Port 1, the valve cannot be opened;
2. 输入口1有气，拉动拉手(1)，1口、2口相通 / When air is supplied at Inlet Port 1, pull the handle (1), and Port 1 connects with Port 2;
3. 输入口1排气，阀自动复位，处于1工况 / When Inlet Port 1 is exhausted, the valve automatically resets and returns to Condition 1.



AV2301型自动复位阀

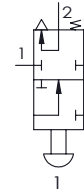
AV2301 Auto-Reset Valve



上海齐宇机电设备有限公司
Shanghai Qiyu Mechatronic Equipment Co., Ltd.

技术参数 / Technical Parameters

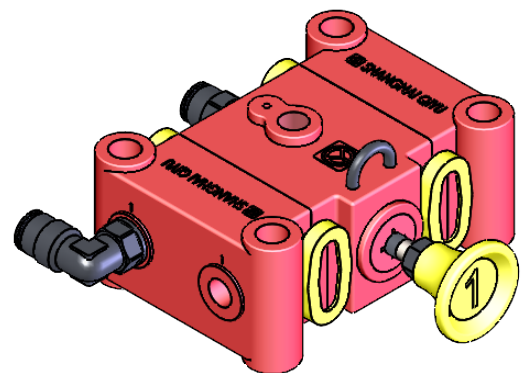
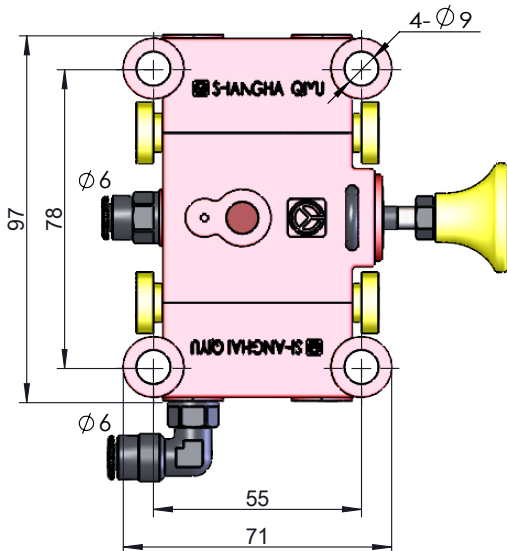
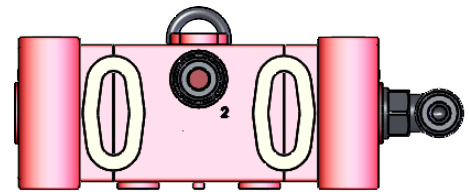
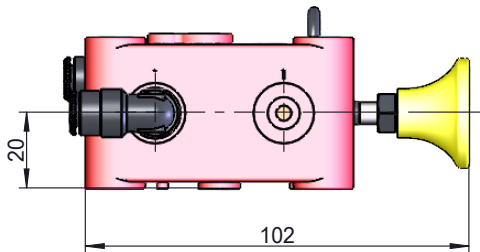
- 工作压力 / Working Pressure: 1.0 MPa;
- 最低工作压力 / Minimum Working Pressure: 0.4 MPa.



输入口1 / Inlet Port 1: G1/8
输出口2 / Outlet Port 2: G1/8

自动复位阀工况 / Operating Conditions of Auto-Reset Valve

1. 输入口1无气，阀打不开 / When there is no air supply at Inlet Port 1, the valve cannot be opened;
2. 输入口1有气，拉动拉手(1)，1口、2口相通 / When air is supplied at Inlet Port 1, pull the handle (1), and Port 1 connects with Port 2;
3. 输入口1排气，阀自动复位，处于1工况 / When Inlet Port 1 is exhausted, the valve automatically resets and returns to Condition 1.



AV2301-P0型自动复位阀

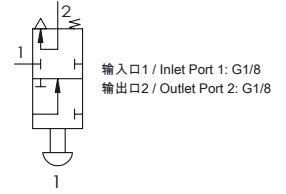
AV2301-P0 Auto-Reset Valve



上海齐宇机电设备有限公司
Shanghai Qiyu Mechatronic Equipment Co., Ltd.

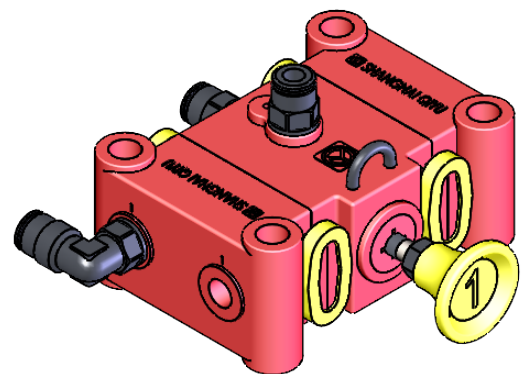
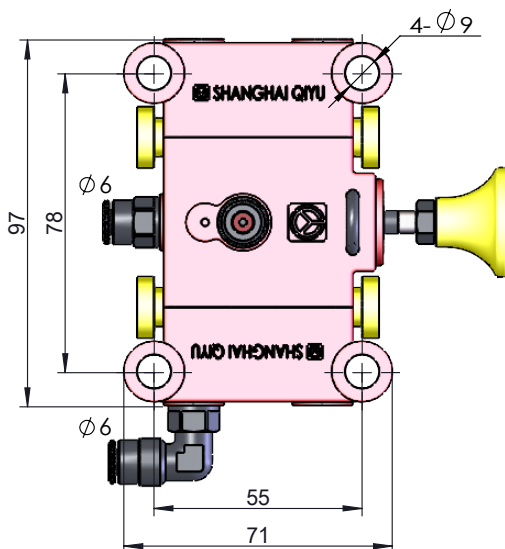
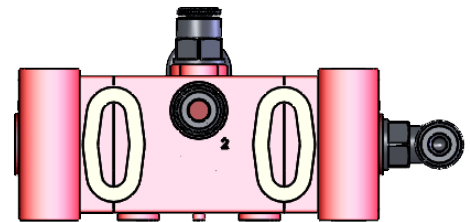
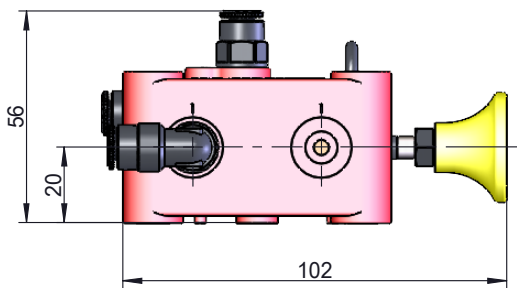
技术参数 / Technical Parameters

- 工作压力 / Working Pressure: 1.0 MPa;
- 最低工作压力 / Minimum Working Pressure: 0.4 MPa.



自动复位阀工况 / Operating Conditions of Auto-Reset Valve

1. 输入口1无气，阀打不开 / When there is no air supply at Inlet Port 1, the valve cannot be opened;
2. 输入口1有气，拉动拉手(1)，1口、2口相通 / When air is supplied at Inlet Port 1, pull the handle (1), and Port 1 connects with Port 2;
3. 输入口1排气，阀自动复位，处于1工况 / When Inlet Port 1 is exhausted, the valve automatically resets and returns to Condition 1.



AV2301-P1型自动复位阀

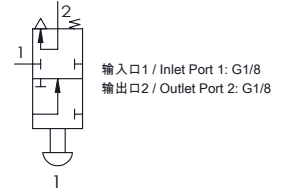
AV2301-P1 Auto-Reset Valve



上海齐宇机电设备有限公司
Shanghai Qiyu Mechatronic Equipment Co., Ltd.

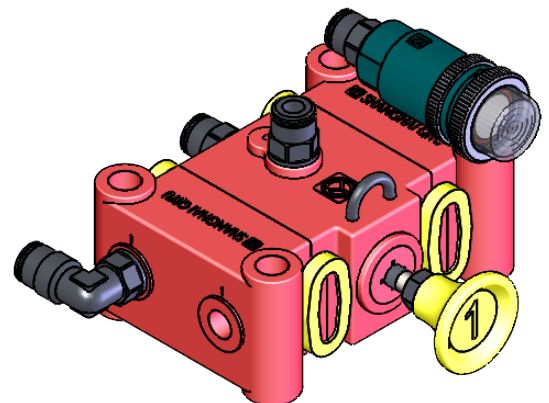
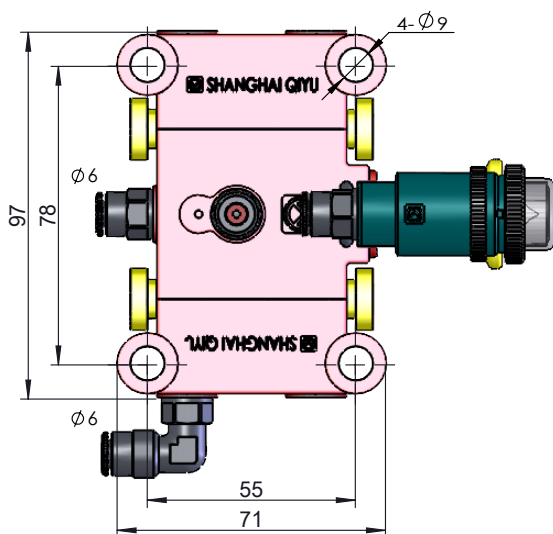
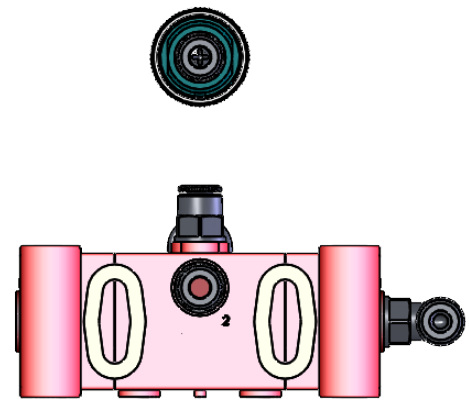
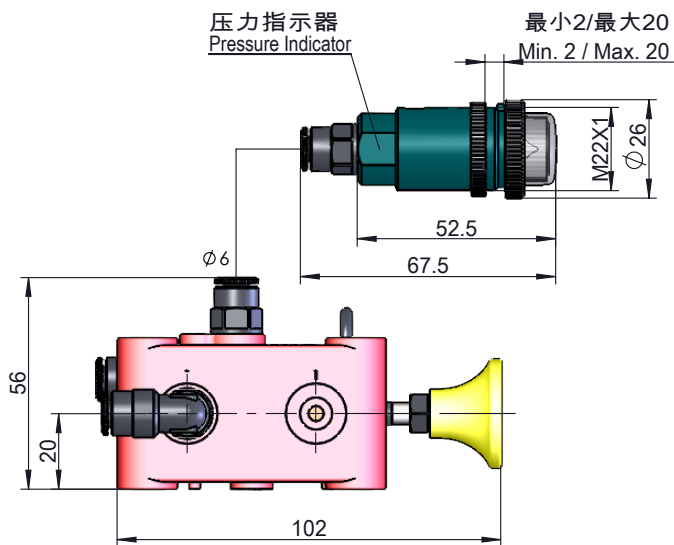
技术参数 / Technical Parameters

- 工作压力 / Working Pressure: 1.0 MPa;
- 最低工作压力 / Minimum Working Pressure: 0.4 MPa.



自动复位阀工况 / Operating Conditions of Auto-Reset Valve

1. 输入口1无气，阀打不开 / When there is no air supply at Inlet Port 1, the valve cannot be opened;
2. 输入口1有气，拉动拉手(1)，1口、2口相通 / When air is supplied at Inlet Port 1, pull the handle (1), and Port 1 connects with Port 2;
3. 输入口1排气，阀自动复位，处于1工况 / When Inlet Port 1 is exhausted, the valve automatically resets and returns to Condition 1.



AV2301-P2型自动复位阀

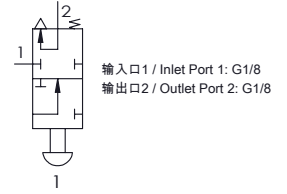
AV2301-P2 Auto-Reset Valve



上海齐宇机电设备有限公司
Shanghai Qiyu Mechatronic Equipment Co., Ltd.

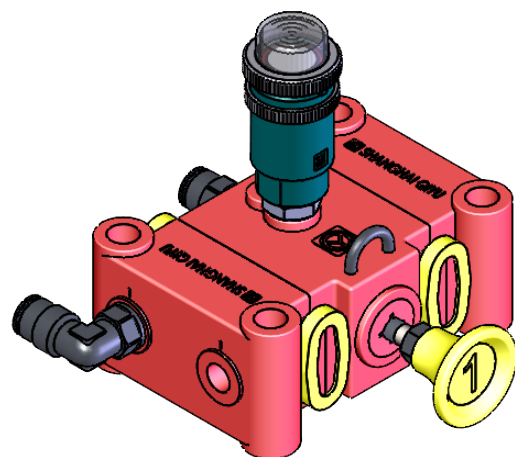
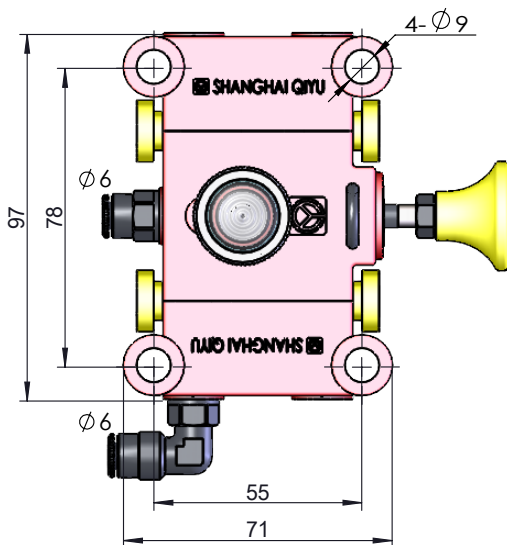
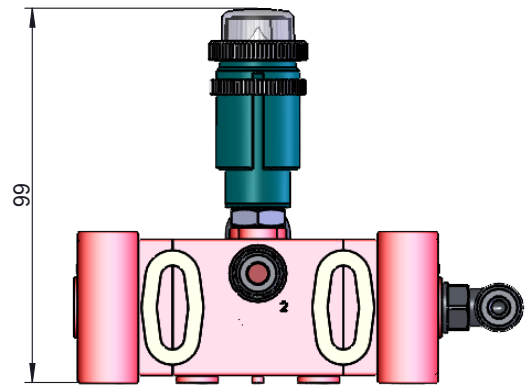
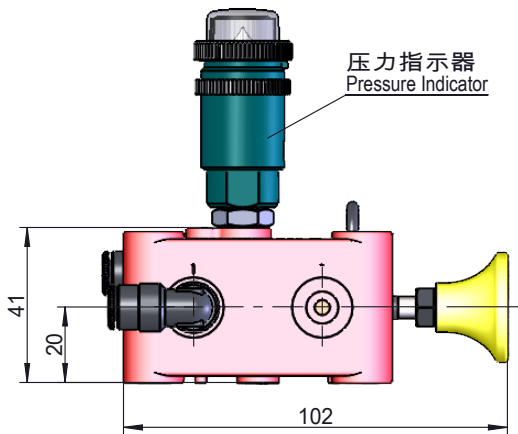
技术参数 / Technical Parameters

- 工作压力 / Working Pressure: 1.0 MPa;
- 最低工作压力 / Minimum Working Pressure: 0.4 MPa.



自动复位阀工况 / Operating Conditions of Auto-Reset Valve

1. 输入口1无气，阀打不开 / When there is no air supply at Inlet Port 1, the valve cannot be opened;
2. 输入口1有气，拉动拉手(1)，1口、2口相通 / When air is supplied at Inlet Port 1, pull the handle (1), and Port 1 connects with Port 2;
3. 输入口1排气，阀自动复位，处于1工况 / When Inlet Port 1 is exhausted, the valve automatically resets and returns to Condition 1.



AV2302型自动复位阀

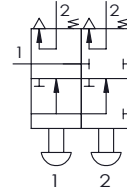
AV2302 Auto-Reset Valve



上海齐宇机电设备有限公司
Shanghai Qiyu Mechatronic Equipment Co., Ltd.

技术参数 / Technical Parameters

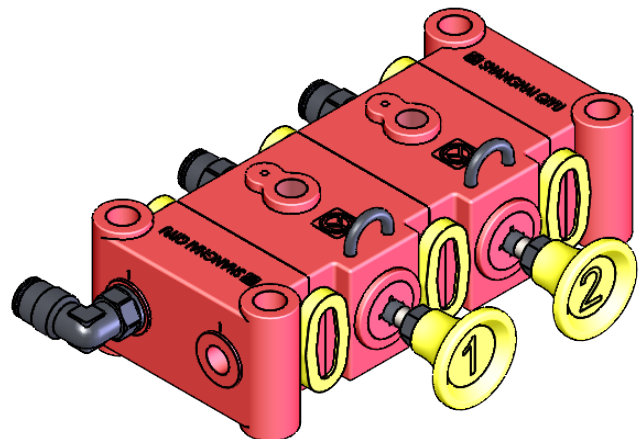
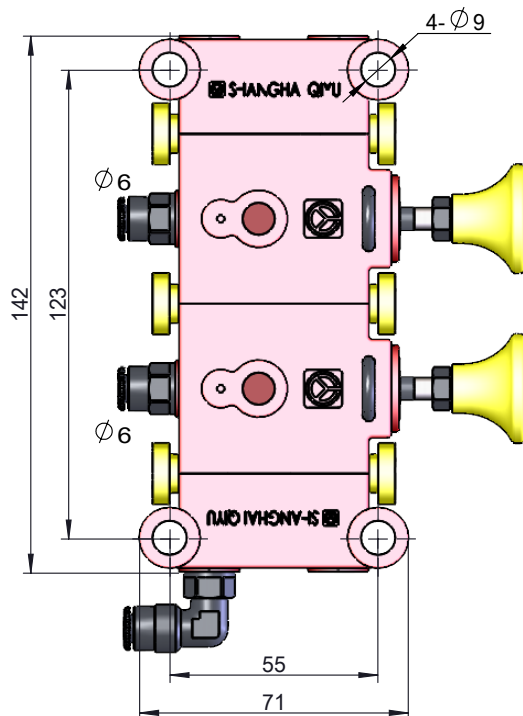
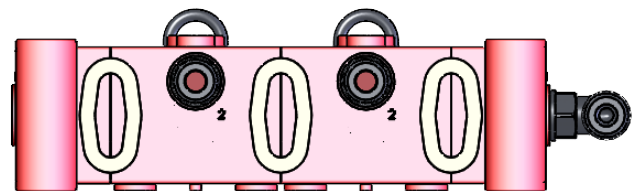
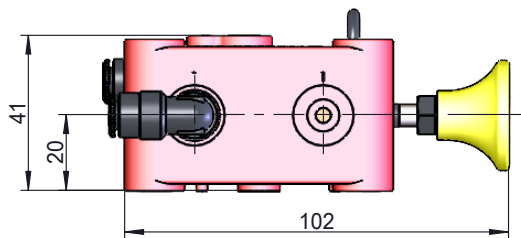
- 工作压力 / Working Pressure: 1.0 MPa;
- 最低工作压力 / Minimum Working Pressure: 0.4 MPa.



输入口1 / Inlet Port 1: G1/8
输出口2 / Outlet Port 2: G1/8

自动复位阀工况 / Operating Conditions of Auto-Reset Valve

1. 输入口1无气，阀打不开 / When there is no air supply at Inlet Port 1, the valve cannot be opened;
2. 输入口1有气，拉动拉手(1, 2)，1口、2口相通 / When air is supplied at Inlet Port 1, pull the handle (1, 2), and Port 1 connects with Port 2;
3. 输入口1排气，阀自动复位，处于1工况 / When Inlet Port 1 is exhausted, the valve automatically resets and returns to Condition 1.



AV2302+K型自动复位阀

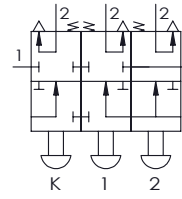
AV2302+K Auto-Reset Valve



上海齐宇机电设备有限公司
Shanghai Qiyu Mechatronic Equipment Co., Ltd.

技术参数 / Technical Parameters

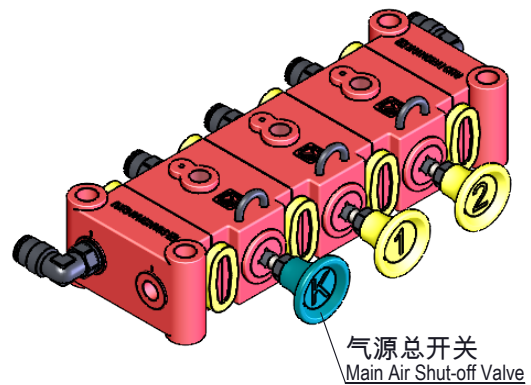
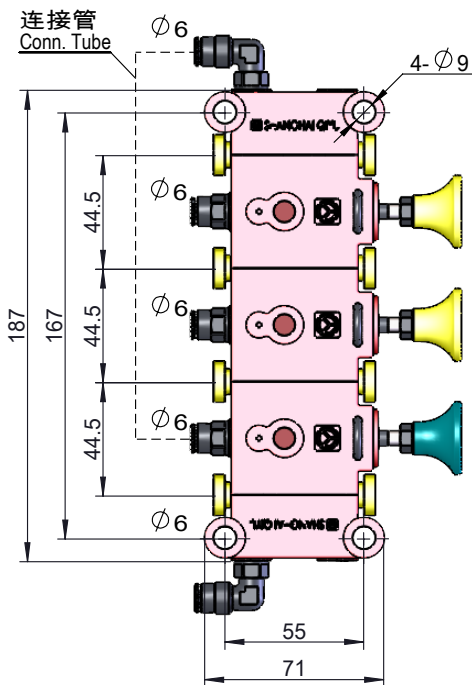
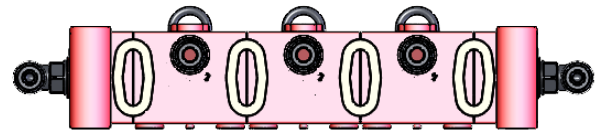
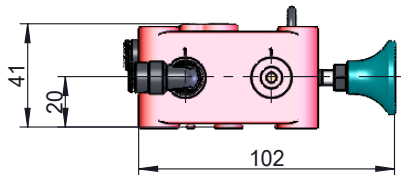
- 工作压力 / Working Pressure: 1.0 MPa;
- 最低工作压力 / Minimum Working Pressure: 0.4 MPa.



输入口1 / Inlet Port 1: G1/8
输出口2 / Outlet Port 2: G1/8

自动复位阀工况 / Operating Conditions of Auto-Reset Valve

1. 输入口1无气，阀打不开 / When there is no air supply at Inlet Port 1, the valve cannot be opened;
2. 输入口1有气，拉动拉手(K、1、2)，1口、2口相通 / When air is supplied at Inlet Port 1, pull the handle (K, 1, 2), and Port 1 connects with Port 2;
3. 输入口1排气，阀自动复位，处于1工况 / When Inlet Port 1 is exhausted, the valve automatically resets and returns to Condition 1.



AV2302-P0型自动复位阀

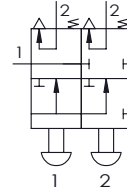
AV2302-P0 Auto-Reset Valve



上海齐宇机电设备有限公司
Shanghai Qiyu Mechatronic Equipment Co., Ltd.

技术参数 / Technical Parameters

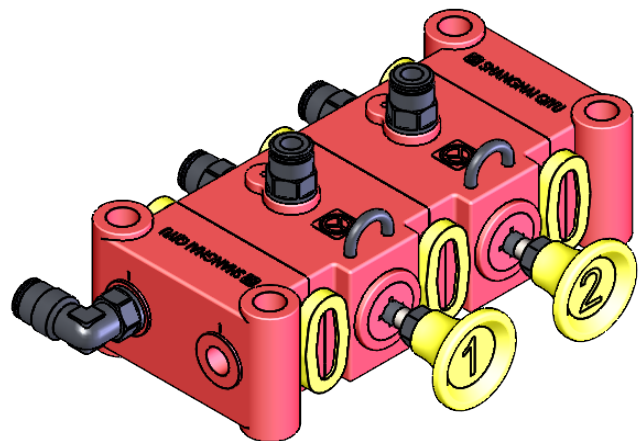
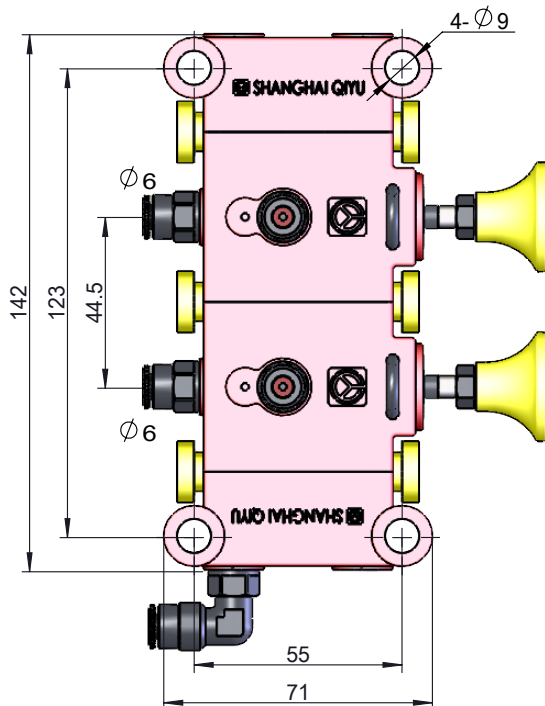
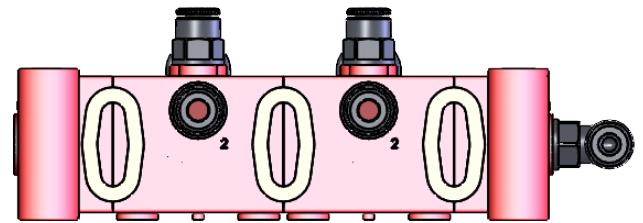
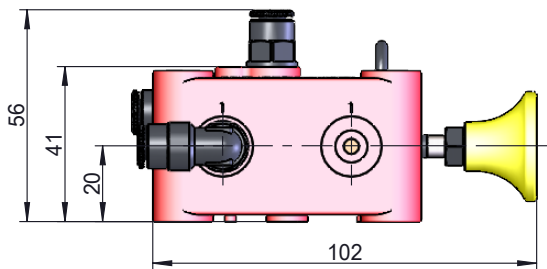
- 工作压力 / Working Pressure: 1.0 MPa;
- 最低工作压力 / Minimum Working Pressure: 0.4 MPa.



输入口1 / Inlet Port 1: G1/8
输出口2 / Outlet Port 2: G1/8

自动复位阀工况 / Operating Conditions of Auto-Reset Valve

1. 输入口1无气，阀打不开 / When there is no air supply at Inlet Port 1, the valve cannot be opened;
2. 输入口1有气，拉动拉手(1、2)，1口、2口相通 / When air is supplied at Inlet Port 1, pull the handle (1, 2), and Port 1 connects with Port 2;
3. 输入口1排气，阀自动复位，处于1工况 / When Inlet Port 1 is exhausted, the valve automatically resets and returns to Condition 1.



AV2302-P1型自动复位阀

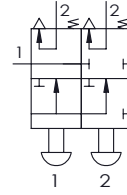
AV2302-P1 Auto-Reset Valve



上海齐宇机电设备有限公司
Shanghai Qiyu Mechatronic Equipment Co., Ltd.

技术参数 / Technical Parameters

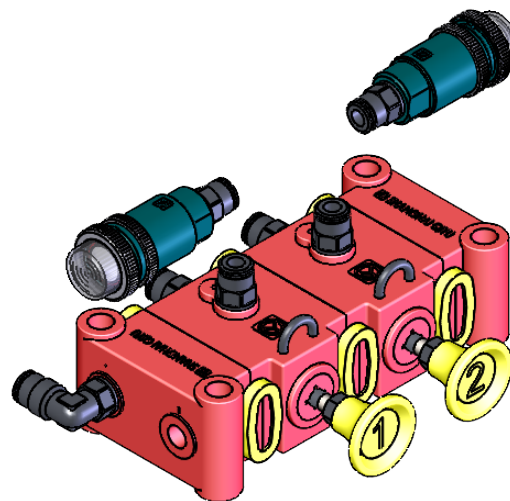
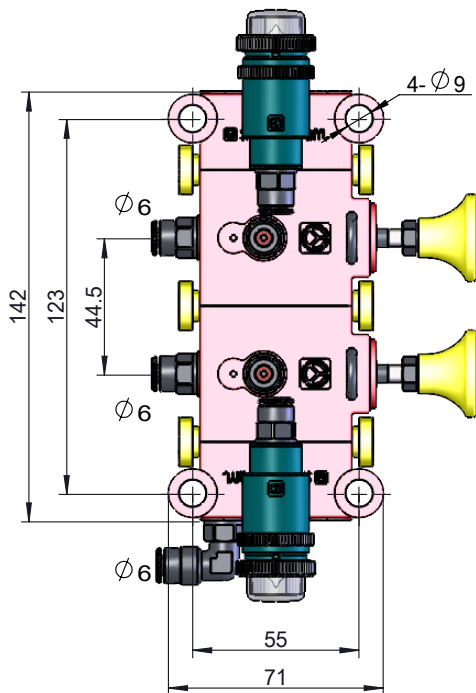
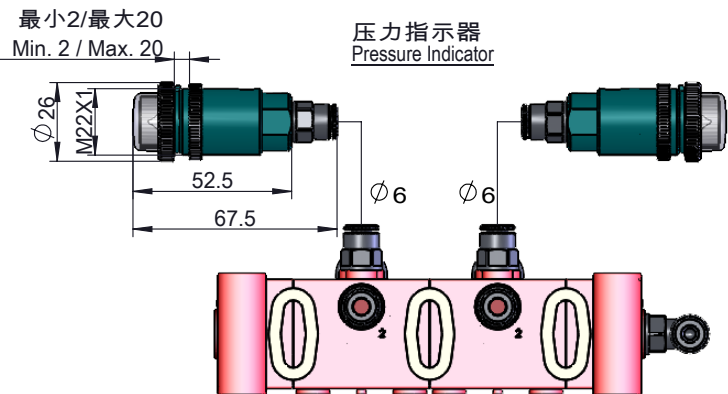
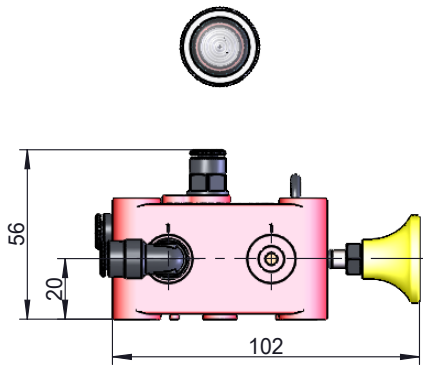
- 工作压力 / Working Pressure: 1.0 MPa;
- 最低工作压力 / Minimum Working Pressure: 0.4 MPa.



输入口1 / Inlet Port 1: G1/8
输出口2 / Outlet Port 2: G1/8

自动复位阀工况 / Operating Conditions of Auto-Reset Valve

1. 输入口1无气，阀打不开 / When there is no air supply at Inlet Port 1, the valve cannot be opened;
2. 输入口1有气，拉动拉手(1、2)，1口、2口相通 / When air is supplied at Inlet Port 1, pull the handle (1, 2), and Port 1 connects with Port 2;
3. 输入口1排气，阀自动复位，处于1工况 / When Inlet Port 1 is exhausted, the valve automatically resets and returns to Condition 1.



AV2302-P2型自动复位阀

AV2302-P2 Auto-Reset Valve

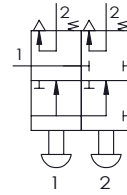


上海齐宇机电设备有限公司

Shanghai Qiyu Mechatronic Equipment Co., Ltd.

技术参数 / Technical Parameters

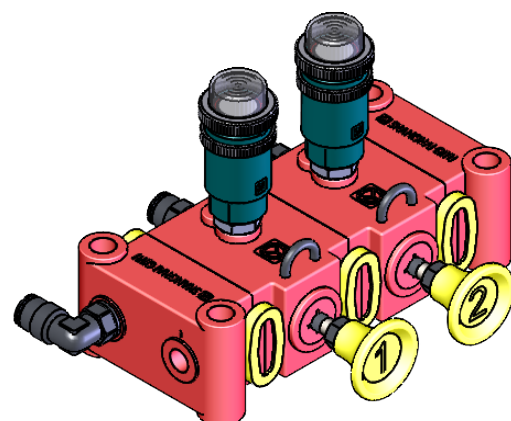
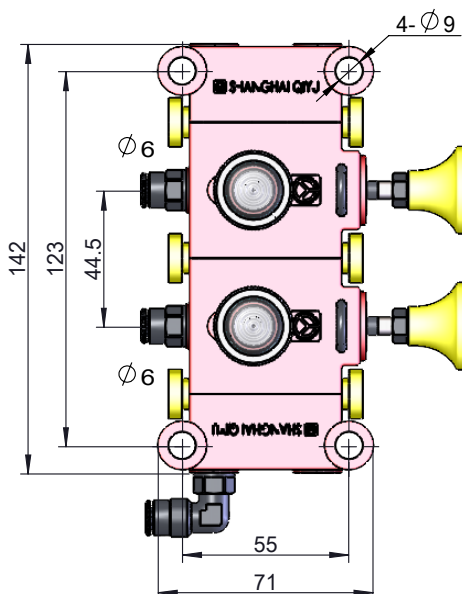
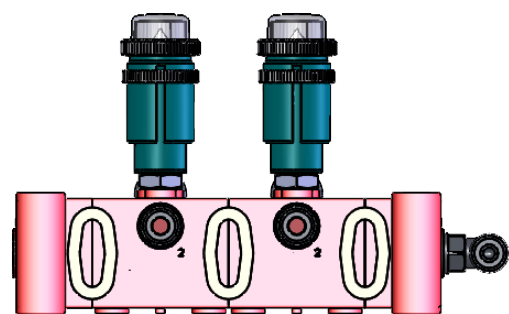
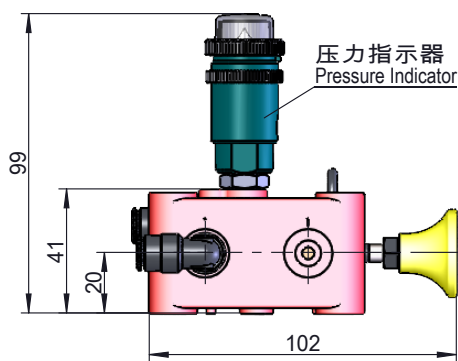
- 工作压力 / Working Pressure: 1.0 MPa;
- 最低工作压力 / Minimum Working Pressure: 0.4 MPa.



输入口1 / Inlet Port 1: G1/8
 输出口2 / Outlet Port 2: G1/8

自动复位阀工况 / Operating Conditions of Auto-Reset Valve

1. 输入口1无气，阀打不开 / When there is no air supply at Inlet Port 1, the valve cannot be opened;
2. 输入口1有气，拉动拉手(1、2)，1口、2口相通 / When air is supplied at Inlet Port 1, pull the handle (1, 2), and Port 1 connects with Port 2;
3. 输入口1排气，阀自动复位，处于1工况 / When Inlet Port 1 is exhausted, the valve automatically resets and returns to Condition 1.



AV2302+K+2×AV2303自动复位阀连接图(带气源总开关)

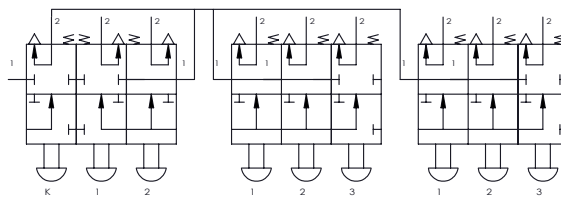
AV2302+K+2×AV2303 Auto-Reset Valve Conn. Diagram (with Main Air Shut-off Valve)



上海齐宇机电设备有限公司
Shanghai Qiyu Mechatronic Equipment Co., Ltd.

技术参数 / Technical Parameters

- 工作压力 / Working Pressure: 1.0 MPa;
- 最低工作压力 / Minimum Operating Pressure: 0.4 MPa.



AV2302+K

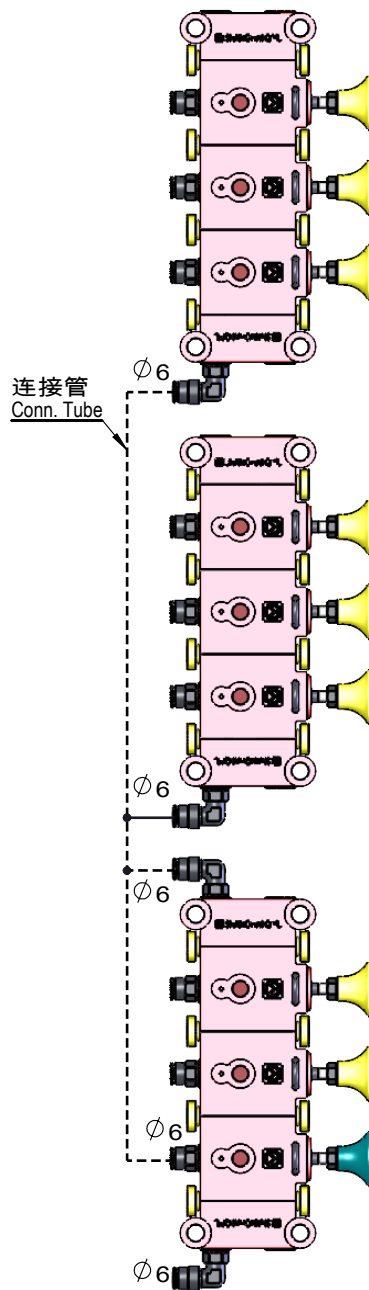
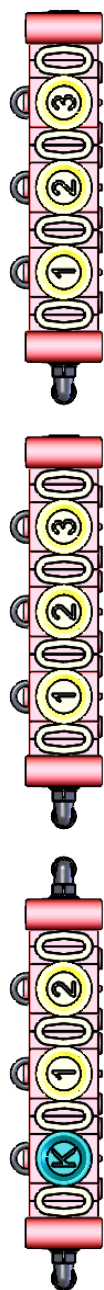
AV2303

AV2303

输入口1 / Inlet Port 1: G1/8

输出口2 / Outlet Port 2: G1/8

自动复位阀连接图 / Outline Drawing



AVE230n型自动复位阀

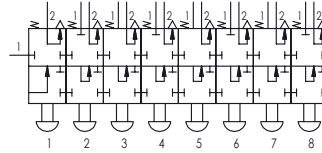
AVE230n Auto-Reset Valve



上海齐宇机电设备有限公司
Shanghai Qiyu Mechatronic Equipment Co., Ltd.

技术参数 / Technical Parameters

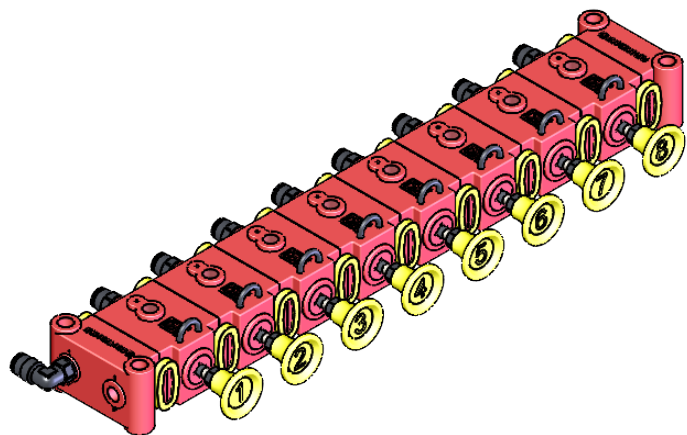
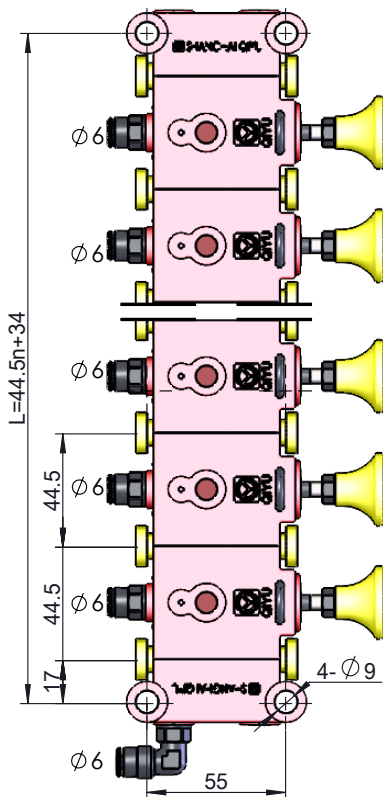
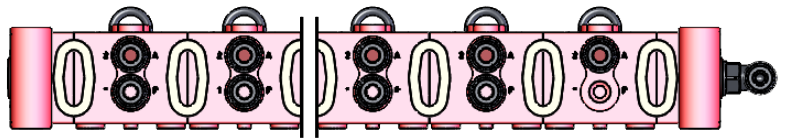
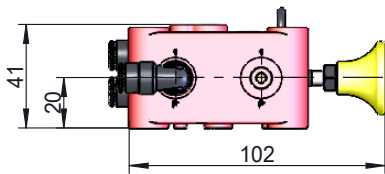
- 工作压力 / Working Pressure: 1.0 MPa;
- 最低工作压力 / Minimum Working Pressure: 0.4 MPa.



输入口1 / Inlet Port 1: G1/8
输出口2 / Outlet Port 2: G1/8

自动复位阀工况 / Operating Conditions of Auto-Reset Valve

1. 输入口1无气，阀打不开 / When there is no air supply at Inlet Port 1, the valve cannot be opened;
2. 输入口1有气，拉动拉手(1、2...n)，1口、2口相通 / When air is supplied at Inlet Port 1, pull the handle (1, 2...n), and Port 1 connects with Port 2;
3. 输入口1排气，阀自动复位，处于1工况 / When Inlet Port 1 is exhausted, the valve automatically resets and returns to Condition 1.



AVE230n+K型自动复位阀

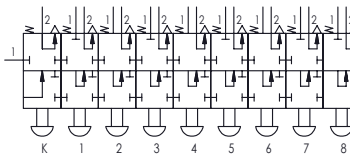
AVE230n+K Auto-Reset Valve



上海齐宇机电设备有限公司
Shanghai Qiyu Mechatronic Equipment Co., Ltd.

技术参数 / Technical Parameters

- 工作压力 / Working Pressure: 1.0 MPa;
- 最低工作压力 / Minimum Working Pressure: 0.4 MPa.



输入口1 / Inlet Port 1: G1/8
输出口2 / Outlet Port 2: G1/8

自动复位阀工况 / Operating Conditions of Auto-Reset Valve

1. 输入口1无气，阀打不开 / When there is no air supply at Inlet Port 1, the valve cannot be opened;
2. 输入口1有气，拉动拉手(K、1、2...n)，1口、2口相通 / When air is supplied at Inlet Port 1, pull the handle (K, 1, 2...n), and Port 1 connects with Port 2;
3. 输入口1排气，阀自动复位，处于1工况 / When Inlet Port 1 is exhausted, the valve automatically resets and returns to Condition 1.

